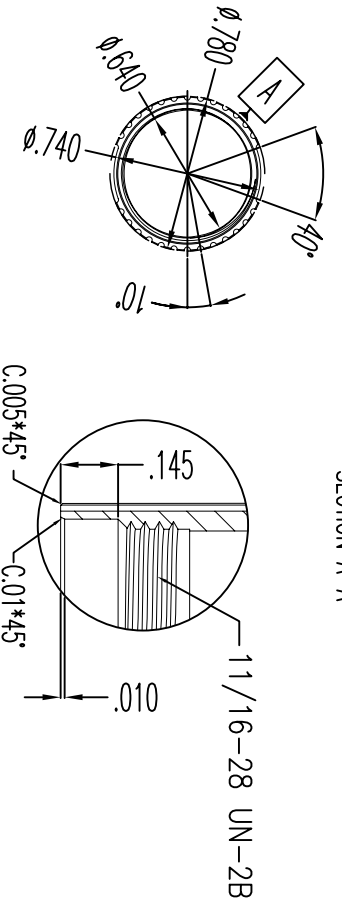
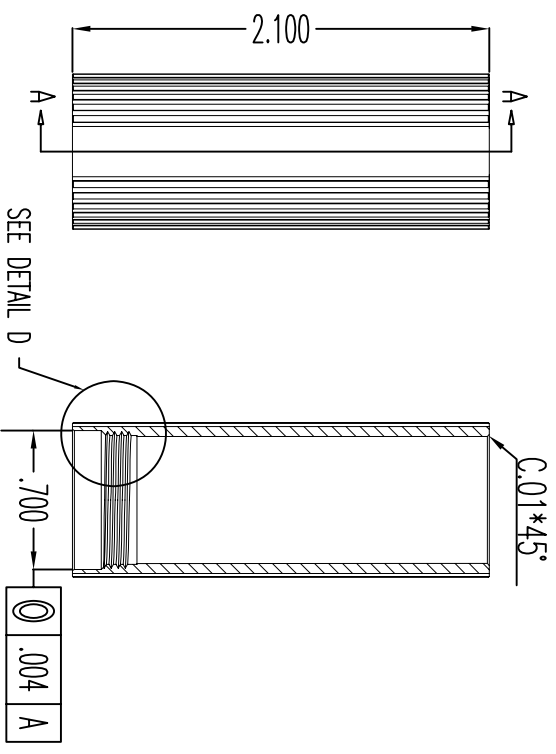
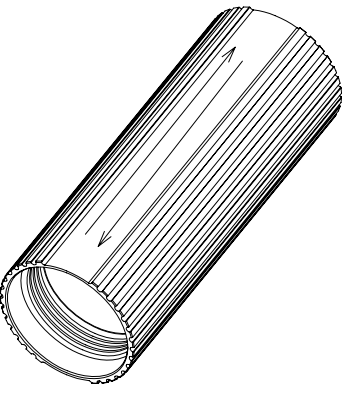


| REV | DESCRIPTION | DATE | EC# | APPROVE MCH MFG |
|-----|----------------------------|------------|-----|--------------------|
| A0 | THIS IS PRODUCTION RELEASE | 2008/05/15 | | XIE BI |



- NOTES: (UNLESS OTHERWISE SPECIFIED)
1. ALL DIMENSIONS ARE IN INCHES.
 2. REMOVE ALL BURRS AND SHARP EDGES.
 3. MATERIAL: AL 6063-T5.
 4. FINISH: CLEAR ANODIZE, ROHS COMPLIANT.
 5. TOLERANCES, DECIMALS : .xx ± .015
.xxx ± .01
ANGLES: ± 1°

Jan Mao Industries Co., Ltd

TEL: 752-6860900 FAX: 752-6860910

| | | | | | | | | | | |
|-------------|------------------------|-------------|---------|---------------|------------|--------------|------------|------|----------|------------|
| Drawing No. | D01-15001-01-C | Customer PN | | Checked | Unit: Inch | Sheet 1 Of 1 | Scale: 1:1 | View | Revision | REV A0 |
| Mfg. PN | 150010F2000-0A | Material | 6063-T5 | Engineer | Approval | | | | Date | 2008/05/15 |
| Description | Hertsink 0.78" * 2.10" | | Finish | Clear Anodize | Drawn | | | | | |