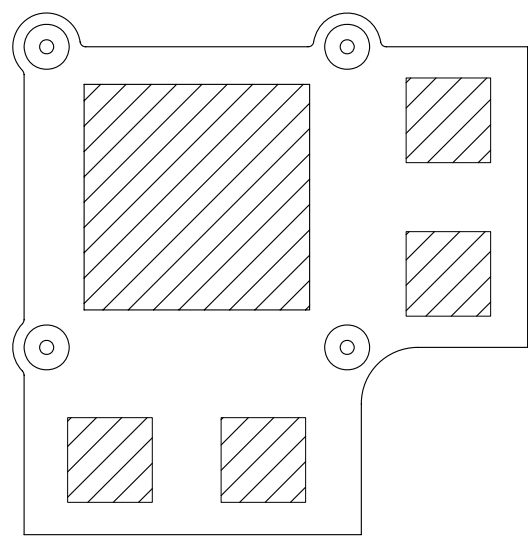
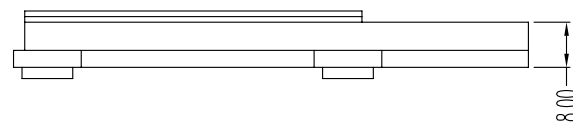
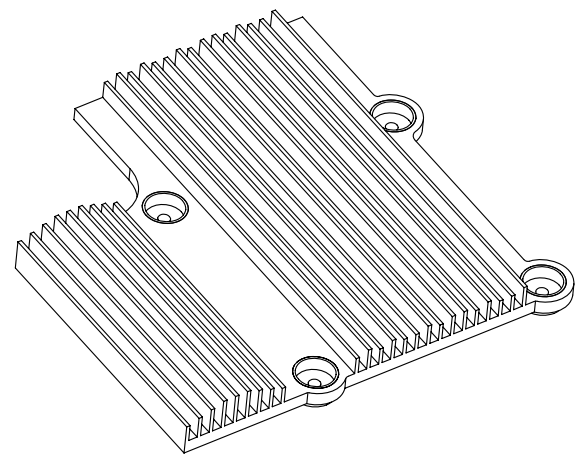


SECTION
A-A



--- REVISION ---					
REV	DESCRIPTION	DATE	EC#	APPROVE	
				MECH	MFG
A0	THIS IS PRODUCTION RELEASE	2008/05/16		XIE	BI



- NOTES: <UNLESS OTHERWISE SPECIFIED>
1. ALL DIMENSIONS ARE IN MM.
 2. REMOVE ALL BURRS AND SHARP EDGES.
 3. MATERIAL: AL 6063-T5
 4. FINISH: Black Anodize , RoHS COMPLIANT.
 5. SUFACE FINISH: 63 UNLESS OTHERWISE NOTED
 6. TOLERANCES , DECIMALS : .xx ± .2
.xxx ± .15
- ANGLES: ± 1°

<h2 style="text-align: center;">Jan Mao Industries Co.,Ltd</h2> <p style="text-align: center;">TEL:752-6860900 FAX:752-6860910</p>				Unit: MM	Edition REV A0	
				Sheet 1 Of 1	View	
Scale: 1:1						
Drawing No.	D01-20284-J01-C	Customer PN		Checked		
Mfg. PN	202840F3000-0B-GP	Material	6063-T5	Engineer		Approval
Description	Heatsink,91.3*92.5*10.0	Finish	Black Anodize	Drawn	Pinyi Yan	Date 2008/05/16