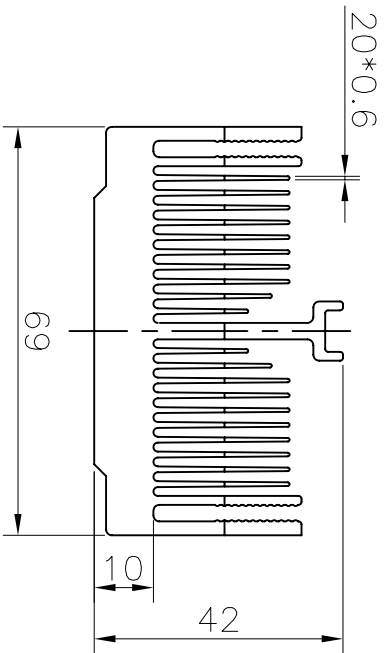
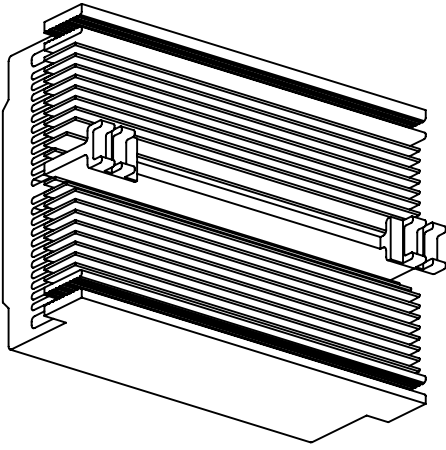
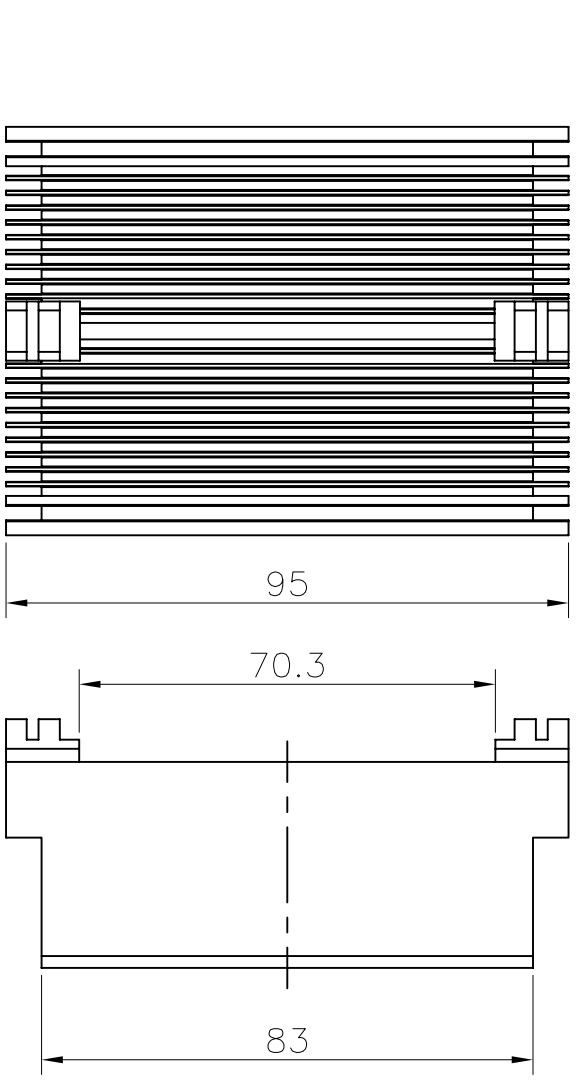


REV	DESCRIPTION	DATE	EC#	APPROVE
				MCH MFG



- NOTES: <UNLESS OTHERWISE SPECIFIED>
1. ALL DIMENSIONS ARE IN INCHES.
  2. REMOVE ALL BURRS AND SHARP EDGES.
  3. MATERIAL: AL 6063-T5
  4. FINISH: Clear Chromate , RoHS COMPLIANT.
  5. TOLERANCES , DECIMALS : .xx ± 0.30  
.xxx ± 0.254
- ANGLES: ± 1°

8	7	6	5	4	3	2	1
A	B	C	D	E			

<b>Jan Mao Industries Co.,Ltd</b> TEL:752-6860900 FAX:752-6860910		Unit:	mm	Edition		REV A0
		Sheet 1	Of 1	View		
Drawing No.	D01-2350A-001-C	Customer PN		Checked		
Mfg. PN	2350AB0001-0A-GP	Material	6063-T5	Engineer		Approval
Description	Handsink,95*69*42	Finish	Clear Chromate	Drawn		Date
						2008/05/12

A	B	C	D	E			
---	---	---	---	---	--	--	--