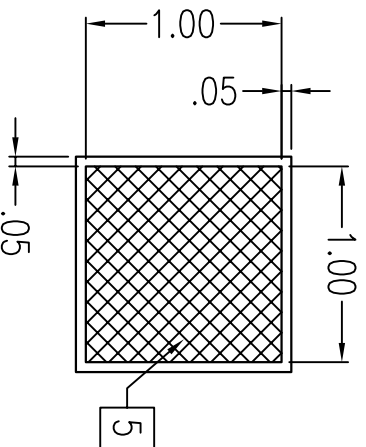
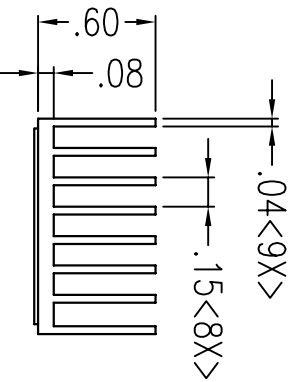
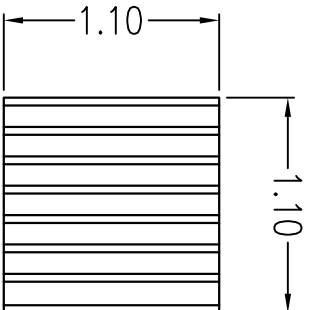


----- REVISION -----		2	1
REV	DESCRIPTION	DATE	EC#
A0	THIS IS PRODUCTION RELEASE	2008/04/07	



- NOTES: (UNLESS OTHERWISE SPECIFIED)
1. ALL DIMENSIONS ARE IN INCHES.
 2. REMOVE ALL BURRS AND SHARP EDGES.
 3. MATERIAL: AL 6063-T5.
 4. FINISH: BLACK ANODIZE , ROHS COMPLIANT.
 5. THERMAL PAD MATERIAL: CHOMERICS T411
1.0"*1.0" INTERFACE.
 6. TOLERANCES , DECIMALS : .xx ± .01
.xxx ± .005
ANGLES: ± 1°

Jan Mao Industries Co.,Ltd

TEL:752-6860900 FAX:752-6860910

Drawing No.	D01-3387-001-C	Customer PN	Checked	Unit:	Inch	Sheet 1	Of 1	Edition	REV A0
Mfg. PN	33870F5000-0A	Material	6063-T5	Engineer		Scale:	1:1	View	
Description	Heatsink, 1.1"*1.1"*.60"	Finish	Black Anodize	Drawn	Davey xie	Date	2008/04/07	Approval	