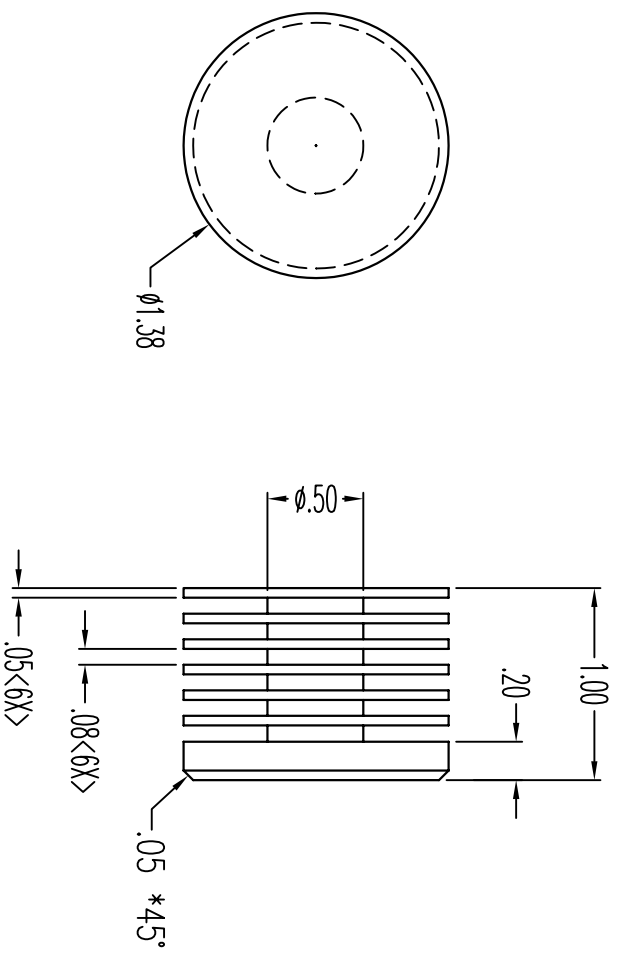


REVISION		DATE	EC#	APPROVE	
REV	DESCRIPTION			MECH	MFG
A0	THIS IS PRODUCTION RELEASE	2008/04/08		XIE	BI



- NOTES: (UNLESS OTHERWISE SPECIFIED)
1. ALL DIMENSIONS ARE IN INCHES.
  2. REMOVE ALL BURRS AND SHARP EDGES.
  3. MATERIAL: AL 6063-T5.
  4. FINISH: BLACK ANODIZE , RoHS COMPLIANT.
  5. TOLERANCES , DECIMALS : .xx ± .01  
.xxx ± .005  
ANGLES: ± 1°

# Jan Mao Industries Co.,Ltd

TEL:752-6860900 FAX:752-6860910

Drawing No.	D01-3837-102-C	Customer PN	Checked	Unit:	Inch	Edition	REV A0
Mfg. PN	38370F3001-0A	Material	Engineer	Sheet	1 Of 1	View	
Description	Headstaple,Ø1.38*1.0	Finish	Drawn	Scale:	1:1	Date	2008/04/08
		Black Anodize				Approval	
				Davey xie			