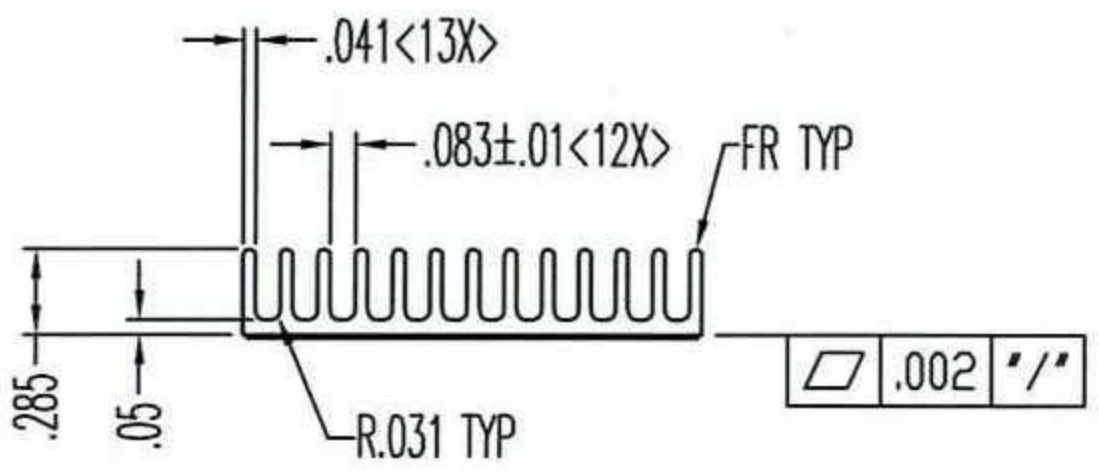
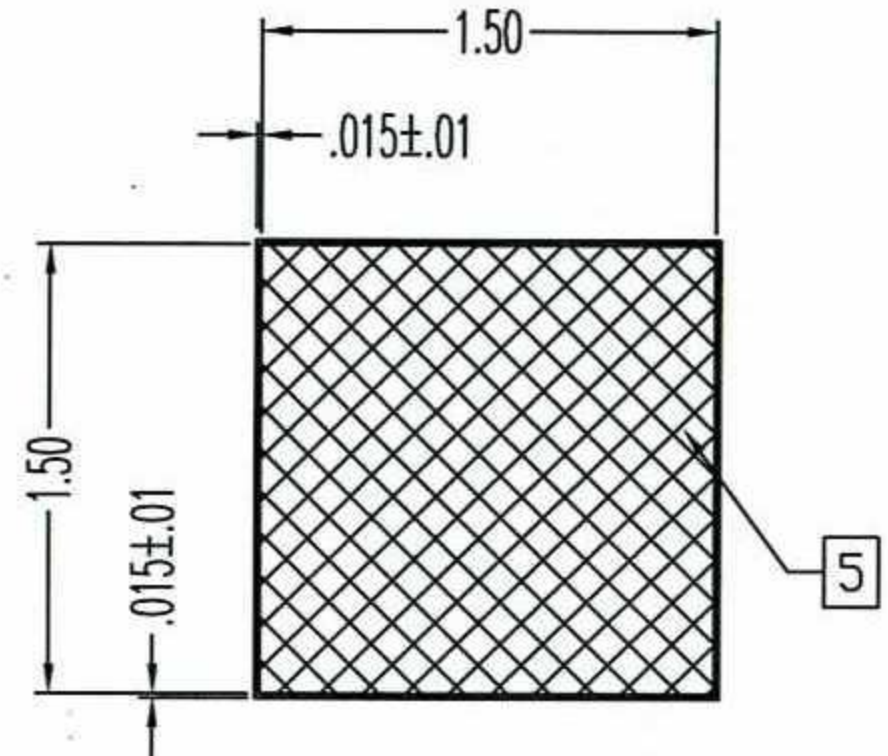
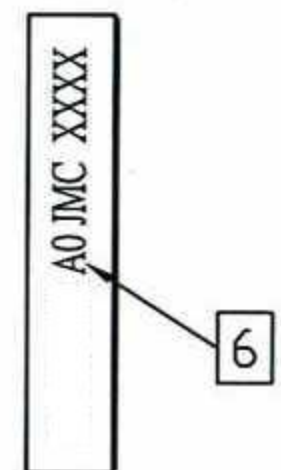
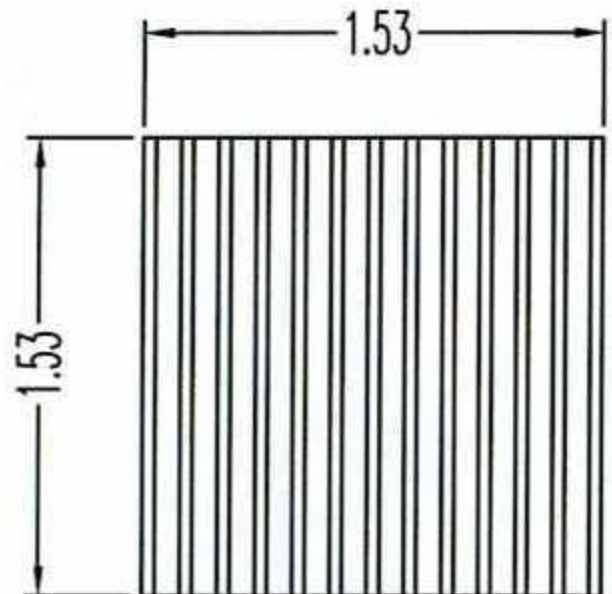


--- REVISION ---					
REV	DESCRIPTION	DATE	EC#	APPROVE	
				MECH	MFG
A0	THIS IS PRODUCTION RELEASE	2007/08/10		XIE	BI



- NOTES: <UNLESS OTHERWISE SPECIFIED>
1. ALL DIMENSIONS ARE IN INCHES.
 2. REMOVE ALL BURRS AND SHARP EDGES.
 3. MATERIAL: AL 6063-T5
 4. FINISH: BLACK ANODIZE , RoHS COMPLIANT.
 5. THERMAL PAD MATERIAL: CHOMERICS T405R 1.5"*1.5"
 6. MARK PART NUMBER , REVISION , VENDOR CODE , DATE CODE.
 7. TOLERANCES , DECIMALS : .xx ± .010
.xxx ± .005
ANGLES: ± 1°

Jan Mao Industries Co.,Ltd TEL:752-6860900 FAX:752-6860910				Unit: Inch	Edition REV A0		
				Sheet 1 Of 1	View		
				Scale: 1:1			
Drawing No.	D01-3918-J02-C-GP	Customer PN		Checked	<i>Bi Ding Guai</i>	Approval	
Mfg. PN	39180F3001-0A-A1-GP	Material	Al 6063-T5	Engineer	<i>Davey</i>		
Description	Heatsink, 1.53"*1.53"* .285"	Finish	Black Anodize	Drawn	Xu Xiaoming	Date	2007/08/10