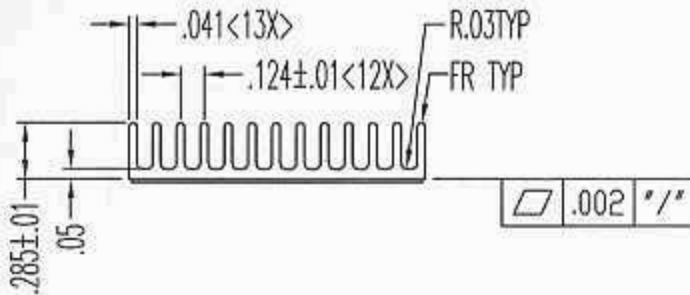
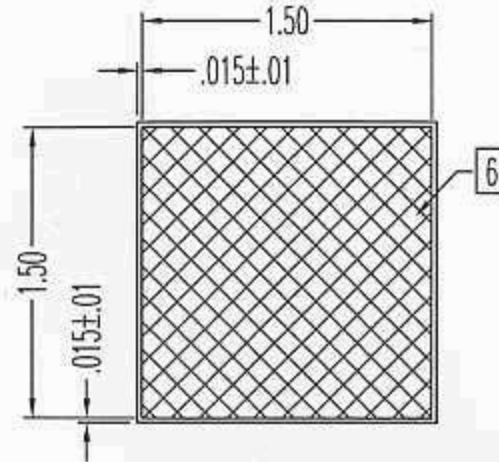
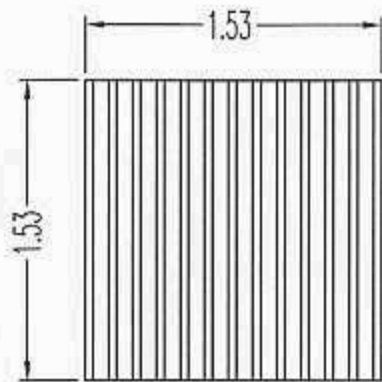


--- REVISION ---				
REV	DESCRIPTION	DATE	EC#	APPROVE
				NECH MFG
A0	THIS IS PRODUCTION RELEASE	2007/08/10		XIE BI



- NOTES: (UNLESS OTHERWISE SPECIFIED)
1. ALL DIMENSIONS ARE IN INCHES.
 2. REMOVE ALL BURRS AND SHARP EDGES.
 3. MATERIAL: AL 6063-T5.
 4. FINISH: BLACK ANODIZE , RoHS COMPLIANT.
 5. THERMAL PAD MATERIAL: BERGQUIST BP108 1.5"*1.5" INTERFACE.
 6. MARK PART NUMBER , REVISION , VENDOR CODE , DATE CODE.
 7. TOLERANCES , DECIMALS : .xx ± .01
.xxx ± .005
ANGLES: ± 1°

Jan Mao Industries Co.,Ltd TEL:752-6860900 FAX:752-6860910				Unit: Inch	Edition REV A0	
				Sheet 1 Of 1	View	
Scale: 1:1						
Drawing No.	D01-3918-J02-C	Customer PN		Checked	Bidingcai	
Mfg. PN	39180F3001-0A-A4	Material	Al 6063-T5	Engineer	Daved	
Description	Heatsink,1.53*1.53*.285"	Finish	Black Anodize	Drawn	Sophia	
				Approval		
				Date	2007/08/10	