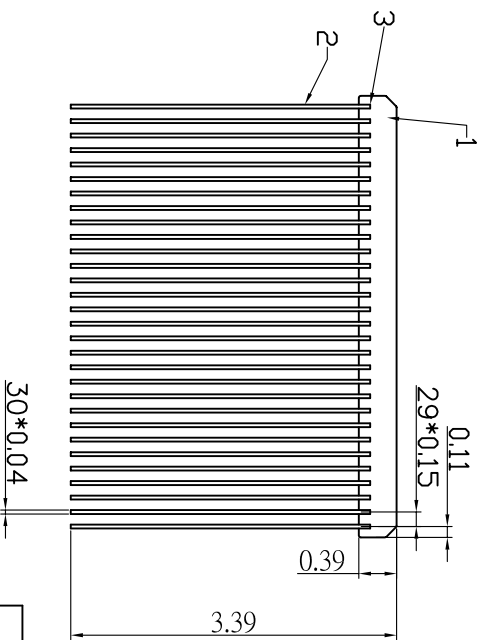
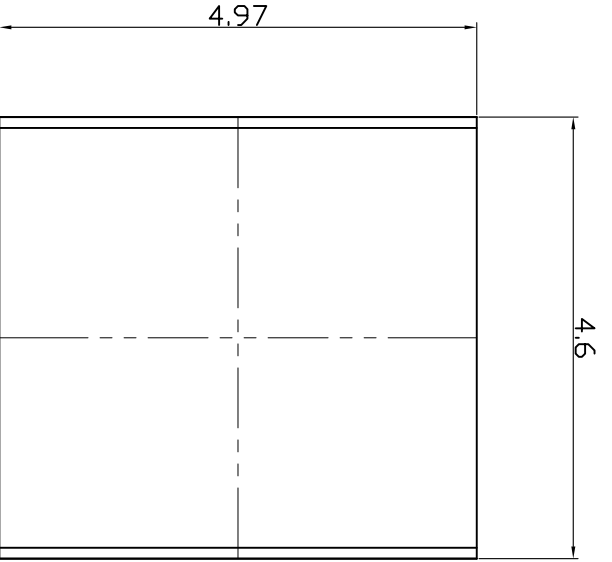


REV	DESCRIPTION	DATE	EC#	APPROVE
A0	THIS IS PRODUCTION RELEASE	2008/08/08		XIE BI



- NOTES: (UNLESS OTHERWISE SPECIFIED)
1. ALL DIMENSIONS ARE IN INCHES.
 2. REMOVE ALL BURRS AND SHARP EDGES.
 3. MATERIAL: AL 6063-T5 and AL C1100-H14.
 4. FINISH: CLEAR CHROMATE , RoHS COMPLIANT.
 5. TOLERANCES , DECIMALS : .xx ± .015
.xxx ± .01
ANGLES: ± 1°

ITEM	QTY	PART NO	DESCRIPTION	MATERIAL OR MANUFACTURE
3	1	---	CAST-coat INC	HEAT SINK BONDING RESIN
2	1	---	FIN	AL C1100-H14
1	1	---	HEATSINK	AL 6063-T5
			DESCRIPTION	MATERIAL OR MANUFACTURE

PARTS LIST

Jan Mao Industries Co., Ltd
 TEL: 752-6860900 FAX: 752-6860910

Drawing No.	D01-3982-102-C	Customer PN	---	Checked	
Mfg. PN	39820B0001-0A	Material	---	Engineer	
Description	Heatsink 4.97*4.60*0.11	Finish	CLEAR CHROMATE	Drawn	Sunwhy

Unit:	Inch	Edition	REV A0
Sheet	1 Of 1	View	
Scale:	1:2	Approval	
Date	2008/08/08		

