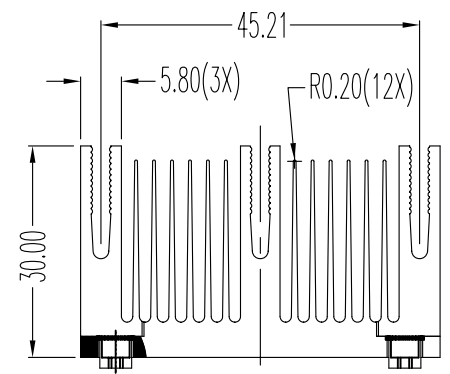
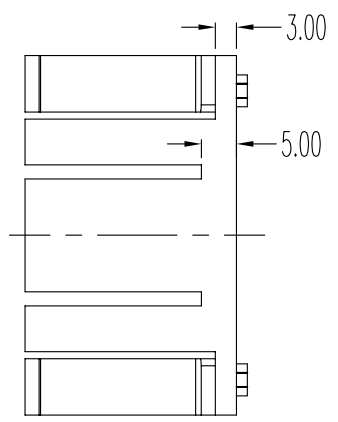
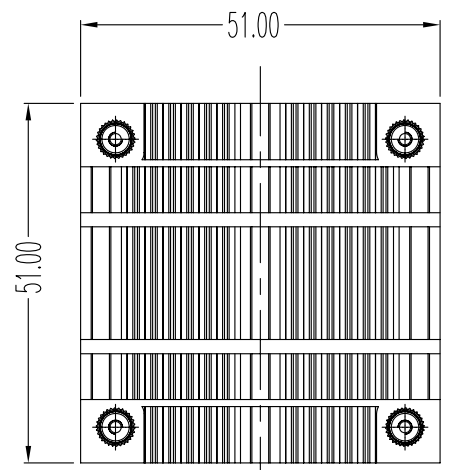


| --- REVISION --- | | | | | |
|------------------|----------------------------|------------|-----|---------|-----|
| REV | DESCRIPTION | DATE | EC# | APPROVE | |
| | | | | MECH | MFG |
| A0 | THIS IS PRODUCTION RELEASE | 2008/05/16 | | XIE | BI |
| | | | | | |



NOTES: <UNLESS OTHERWISE SPECIFIED>

1. ALL DIMENSIONS ARE IN MM.
2. REMOVE ALL BURRS AND SHARP EDGES.
3. MATERIAL: AL 6063-T5
4. FINISH: Clear , RoHS COMPLIANT.
5. SUFACE FINISH: 63 UNLESS OTHERWISE NOTED
6. TOLERANCES , DECIMALS : .xx ± .2
.xxx ± .15
ANGLES: ± 1°

| | | | | | | |
|--|--------------------------|-------------|---------|--------------|----------------|-----------------|
| Jan Mao Industries Co.,Ltd TEL:752-6860900 FAX:752-6860910 | | | | Unit: MM | Edition REV A0 | |
| | | | | Sheet 1 Of 1 | View | |
| | | | | Scale: 1:1 | | |
| Drawing No. | D01-4097-J01-C | Customer PN | | Checked | | |
| Mfg. PN | 40970B0000-0A-GP | Material | 6063-T5 | Engineer | | Approval |
| Description | Heatsink,51.0*51.0*30.0° | Finish | Clear | Drawn | Pinyi Yan | Date 2008/05/16 |