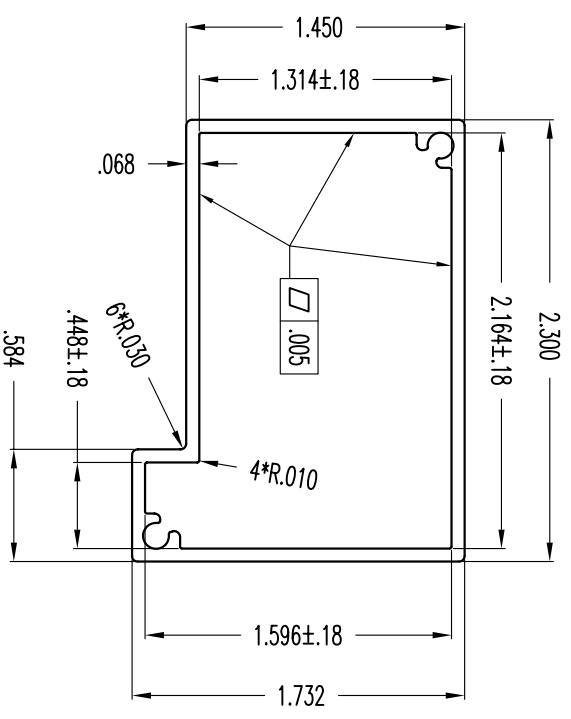
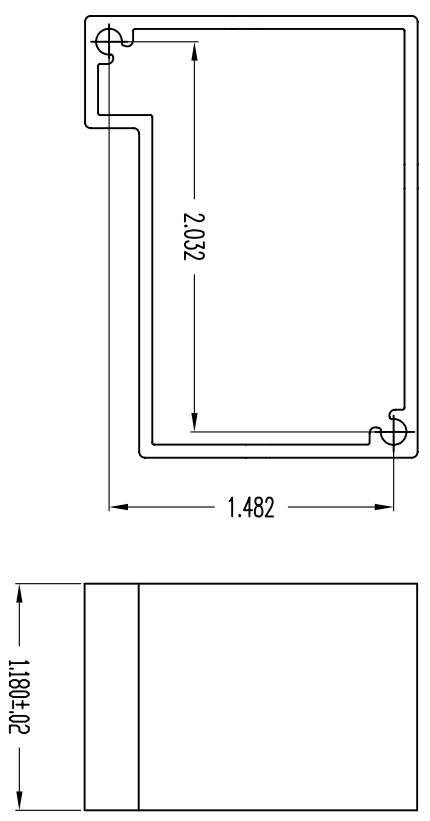


REV	DESCRIPTION	DATE	EC#	APPROVE
				MECH MFG
A0	THIS IS PRODUCTION RELEASE	2008/05/13		XIE BI



- NOTES: <UNLESS OTHERWISE SPECIFIED>
1. ALL DIMENSIONS ARE IN INCHES.
 2. REMOVE ALL BURRS AND SHARP EDGES.
 3. MATERIAL: AL 6063-T5
 4. FINISH: Clear Chromate, RoHS COMPLIANT.
 5. SURFACE FINISH: 63 UNLESS OTHERWISE NOTED
 6. TOLERANCES, DECIMALS : .xx ± .015
.xxx ± .01
- ANGLES: ± 1°

Jan Mao Industries Co., Ltd

TEL: 752-6860900 FAX: 752-6860910

Drawing No.	D01-4397-J01-C	Customer PN	Checked	Unit:	Inch	Edition	REV A0
Mfg. PN	43970B0000-0A	Material	6063-T5	Engineer		Sheet 1 of 1	
Description	Hand sink, 1.18" x 2.30" x 1.732"	Finish	Clear Chromate	Drawn	Sunwhy	Scale:	1:1
						View	
						Approval	
						Date	2008/05/12