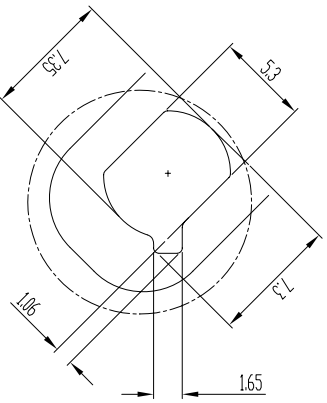
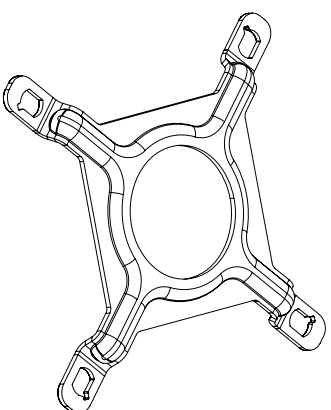
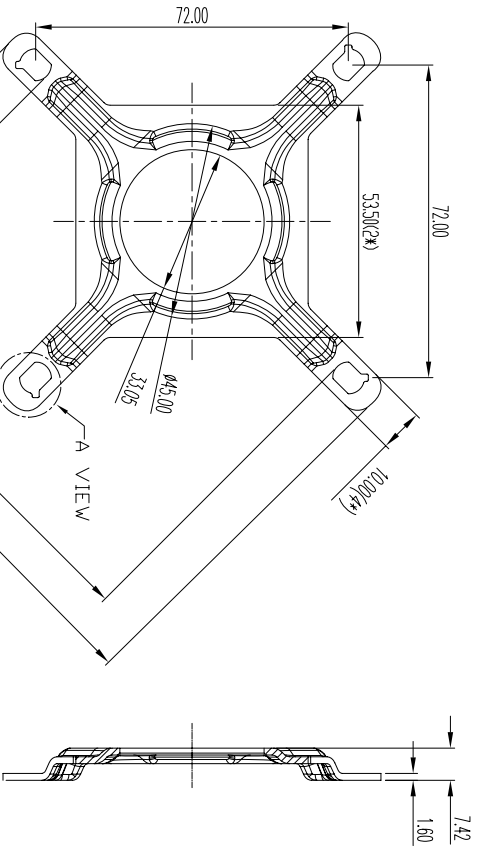


REV		DESCRIPTION	DATE	EC#	APPROVE
					MECH MFG



A VIEW SCALE 4:1

- NOTES: (UNLESS OTHERWISE SPECIFIED)
1. ALL DIMENSIONS ARE IN MM.
 2. REMOVE ALL BURRS AND SHARP EDGES.
 3. MATERIAL: S50C T=1.6
 4. FINISH: NICKEL PLATED , ROHS COMPLIANT.

Jan Mao Industries Co.,Ltd

TEL:752-6860900 FAX:752-6860910

Drawing No.	Customer PN	Checked	Unit: MM	Edition	REV A0
Mfg. PN	Material	Engineer	Sheet 1 of 1	View	
Description	Finish	Drawn	Scale: 1:1	Date	2008/06/01
4717A CLIP-CP	S50C				
117.82*117.82*7.42	NICKEL PLATED				