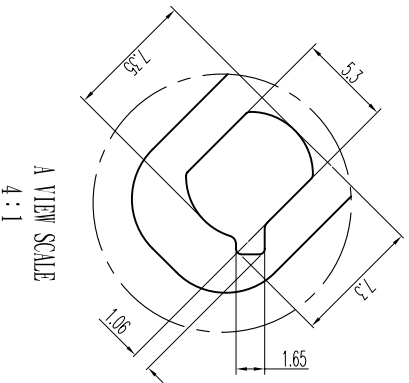
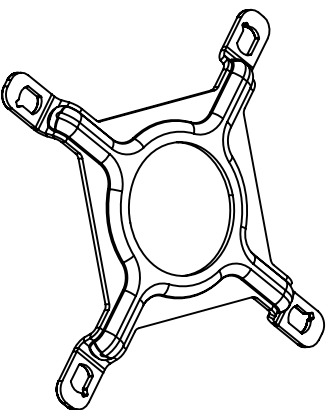
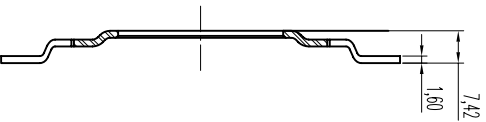
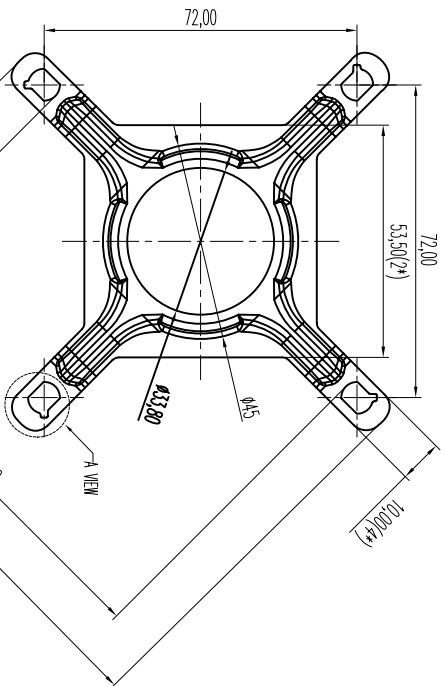


REV	DESCRIPTION	DATE	EC#	APPROVE
				MECH
				MFG

--- REVISION ---



- NOTES: (UNLESS OTHERWISE SPECIFIED)
1. ALL DIMENSIONS ARE IN MM.
 2. REMOVE ALL BURRS AND SHARP EDGES.
 3. MATERIAL: S50C T=1.6
 4. FINISH: NICKEL PLATED , ROHS COMPLIANT.

Jan Mao Industries Co.,Ltd

TEL:752-6860900 FAX:752-6860910

Drawing No.	Customer PN	Checked	Unit: MM	Edition	REV A0
Mfg. PN	Material	Engineer	Sheet 1 of 1	View	
Description	Finish	Drawn	Scale: 1:1	Approval	Date
117.82*117.82*7.42	NICKEL PLATED				2008/06/01