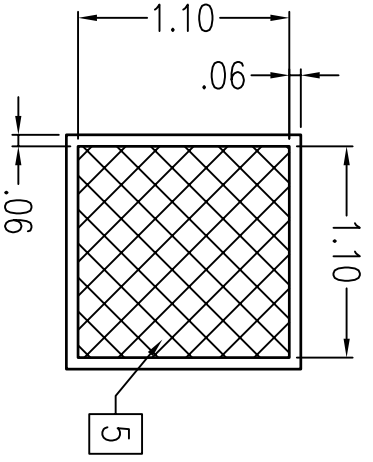
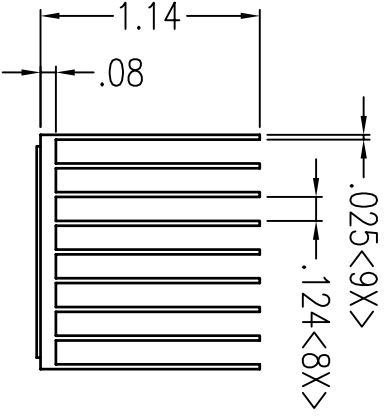
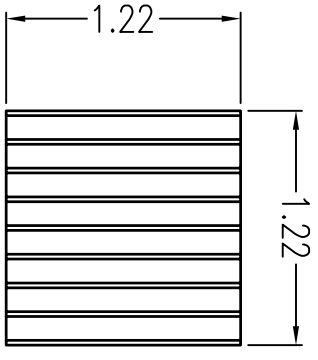


REVISION		DATE	EC#	APPROVE	
REV	DESCRIPTION			MECH	MFG
A0	THIS IS PRODUCTION RELEASE	2008/04/08		XIE	BI



- NOTES: (UNLESS OTHERWISE SPECIFIED)
1. ALL DIMENSIONS ARE IN INCHES.
 2. REMOVE ALL BURRS AND SHARP EDGES.
 3. MATERIAL: AL 6063-T5.
 4. FINISH: BLACK ANODIZE , ROHS COMPLIANT.
 5. THERMAL PAD MATERIAL: CHOMERICS T411
1.10"*1.10" INTERFACE.
 6. TOLERANCES , DECIMALS : .xx ± .015
.xxx ± .01
ANGLES: ± 1°

Jan Mao Industries Co.,Ltd

TEL: 752-6860900 FAX: 752-6860910

Drawing No.	D01-6050-101-C	Customer PN	Checked	Unit:	Inch	Edition	REV A0
Mfg. PN	60500F3000-0A	Material	6063-T5	Engineer		Sheet 1	Of 1
Description	Headstrik, 1.22"*1.22"*1.14"	Finish	Black Anodize	Drawn	Davey xie	Scale:	1:1
				Date	2008/04/08	View	