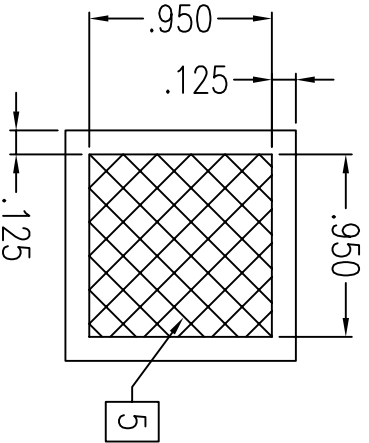
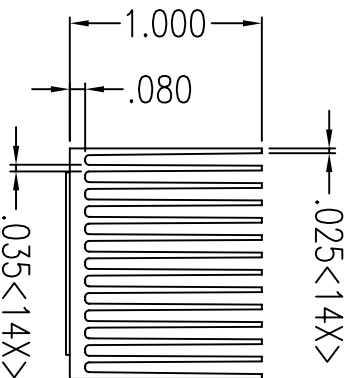
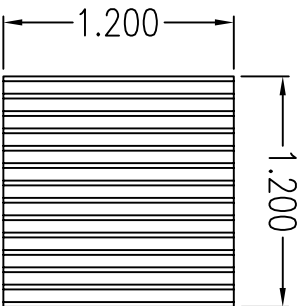


REV	DESCRIPTION	DATE	EC#	APPROVE
A0	THIS IS PRODUCTION RELEASE	2008/04/08		XIE BI



- NOTES: (UNLESS OTHERWISE SPECIFIED)
1. ALL DIMENSIONS ARE IN INCHES.
  2. REMOVE ALL BURRS AND SHARP EDGES.
  3. MATERIAL: AL 6063-T5.
  4. FINISH: BLACK ANODIZE , ROHS COMPLIANT.
  5. THERMAL PAD MATERIAL: BERGQUIST BP108 .95"\*.95" INTERFACE.
  6. TOLERANCES , DECIMALS : .xx ± .015

.xxx ± .01  
 ANGLES: ± 1°

# Jan Mao Industries Co.,Ltd

TEL:752-6860900 FAX:752-6860910

Drawing No.	D01-6212-J01-C	Customer PN	Checked	Unit:	Inch	Edition	REV A0
Mfg. PN	62120F3000-0A	Material	Engineer	Sheet	1 Of 1	View	MECH
Description	Heatsink, 1.2"*.95"*.95"*.10"	Finish	Drawn	Scale:	1:1	Approval	MFG
		Black Anodize	Davey xie	Date	2008/04/08		