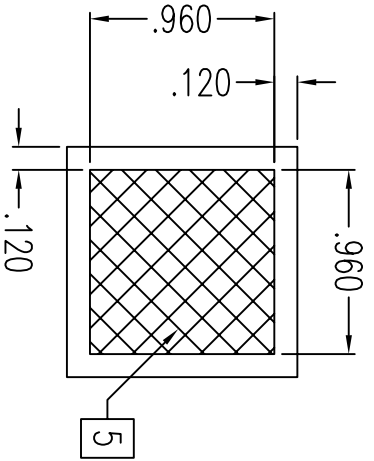
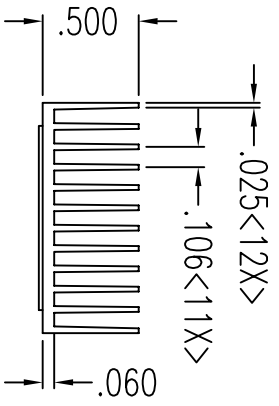
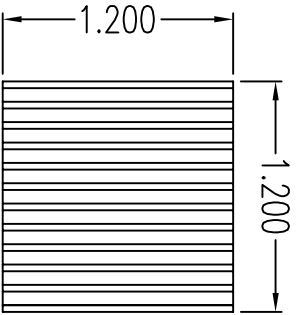


REVISION		DATE	EC#	APPROVE	
REV	DESCRIPTION			MECH	MFG
A0	THIS IS PRODUCTION RELEASE	2008/04/08		XIE	BI



- NOTES: (UNLESS OTHERWISE SPECIFIED)
1. ALL DIMENSIONS ARE IN INCHES.
 2. REMOVE ALL BURRS AND SHARP EDGES.
 3. MATERIAL: AL 6063-T5.
 4. FINISH: BLACK ANODIZE , ROHS COMPLIANT.
 5. THERMAL PAD MATERIAL: BERGQUIST BP108 .96"*.96" INTERFACE.
 6. TOLERANCES , DECIMALS : .xx ± .015
.xxx ± .01
ANGLES: ± 1°

Jan Mao Industries Co.,Ltd

TEL: 752-6860900 FAX: 752-6860910

Drawing No.	D01-6320-101-C	Customer PN	Checked	Unit:	Inch	Edition	REV A0
Mfg. PN	63200F3000-0A	Material	Engineer	Sheet	1 Of 1	View	⊕
Description	Heatsink, 1.2"*.96"*.50"	Finish	Drawn	Scale:	1:1	Date	2008/04/08
		Black Anodize					
				Dovey xie			