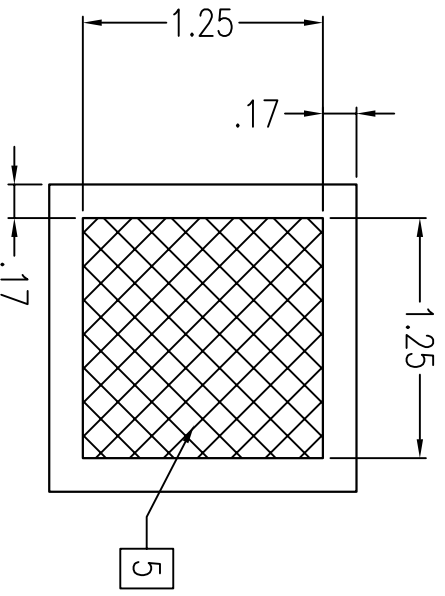
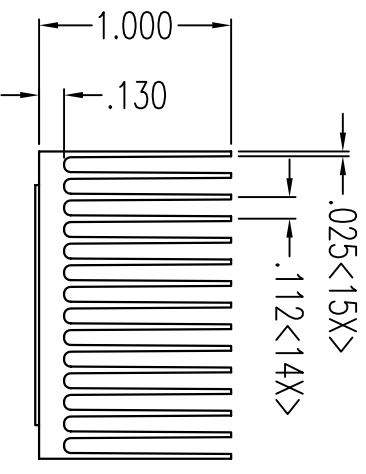
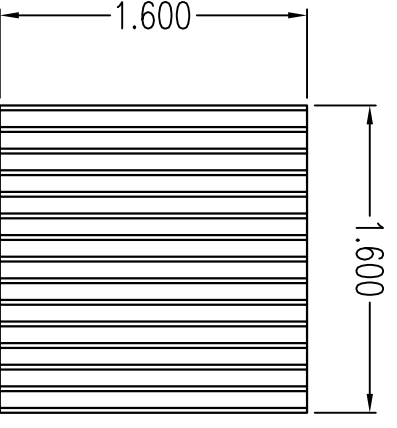


| REVISION | | DATE | | APPROVE | |
|----------|----------------------------|------------|-----|---------|-----|
| REV | DESCRIPTION | DATE | EC# | MECH | MFG |
| A0 | THIS IS PRODUCTION RELEASE | 2008/04/08 | | XIE | BI |



- NOTES: (UNLESS OTHERWISE SPECIFIED)
1. ALL DIMENSIONS ARE IN INCHES.
 2. REMOVE ALL BURRS AND SHARP EDGES.
 3. MATERIAL: AL 6063-T5.
 4. FINISH: BLACK ANODIZE , ROHS COMPLIANT.
 5. THERMAL PAD MATERIAL: BERGQUIST BP108
1.25"*1.25" INTERFACE.
 6. TOLERANCES , DECIMALS : .xx ± .01

.xxx ± .005
ANGLES: ± 1°

| | | | | | | | |
|---|--------------------------|-------------|---------------|----------|-----------|----------|------------|
| <h2 style="text-align: center;">Jan Mao Industries Co.,Ltd</h2> <p style="text-align: center;">TEL: 752-6860900 FAX: 752-6860910</p> | | | | Unit: | Inch | Edition | |
| | | | | Sheet | 1 Of 1 | REV A0 | |
| Drawing No. | D01-6321-101-C | Customer PN | Checked | Scale: | 1:1 | View | |
| Mfg. PN | 63210F3000-0A | Material | 6063-T5 | Engineer | | Approval | |
| Description | Headsink, 1.6"*1.6"*1.0" | Finish | Black Anodize | Drawn | Davey xie | Date | 2008/04/08 |