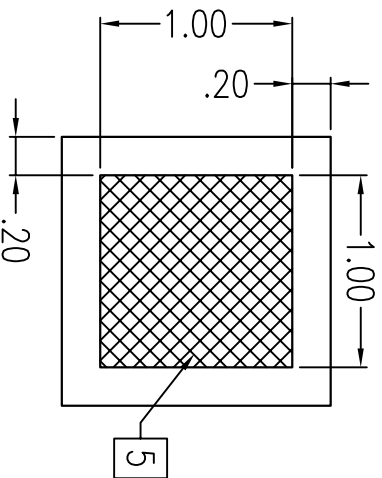
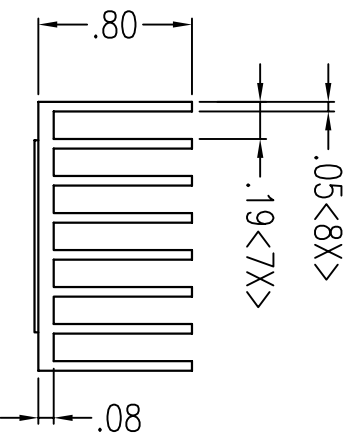
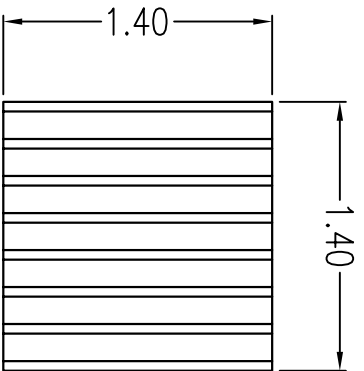


REV		DESCRIPTION	DATE	EC#	APPROVE	
A0		THIS IS PRODUCTION RELEASE	2008/04/08		MECH	MFG
					XIE	BI



- NOTES: (UNLESS OTHERWISE SPECIFIED)
1. ALL DIMENSIONS ARE IN INCHES.
 2. REMOVE ALL BURRS AND SHARP EDGES.
 3. MATERIAL: AL 6063-T5.
 4. FINISH: BLACK ANODIZE , RoHS COMPLIANT.
 5. THERMAL PAD MATERIAL: 3M 8815
1.0"*1.0" INTERFACE.
 6. TOLERANCES , DECIMALS : .xx ± .015
.xxx ± .01
ANGLES: ± 1°

Jan Mao Industries Co.,Ltd

TEL:752-6860900 FAX:752-6860910

Drawing No.	D01-6345-101-C	Customer PN	Checked	Unit:	Inch	Edition	REV A0
Mfg. PN	63450F3000-0A	Material	Engineer	Sheet	1 Of 1	View	
Description	Headsink, 1.4"*1.4"*80°	Finish	Drawn	Scale:	1:1	Approval	
		Black Anodize	Davey xie	Date	2008/04/08		