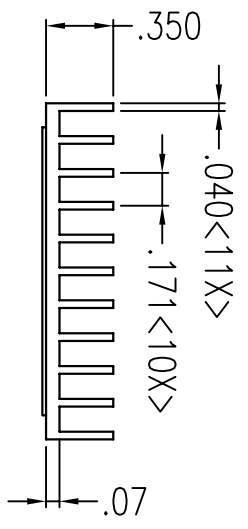
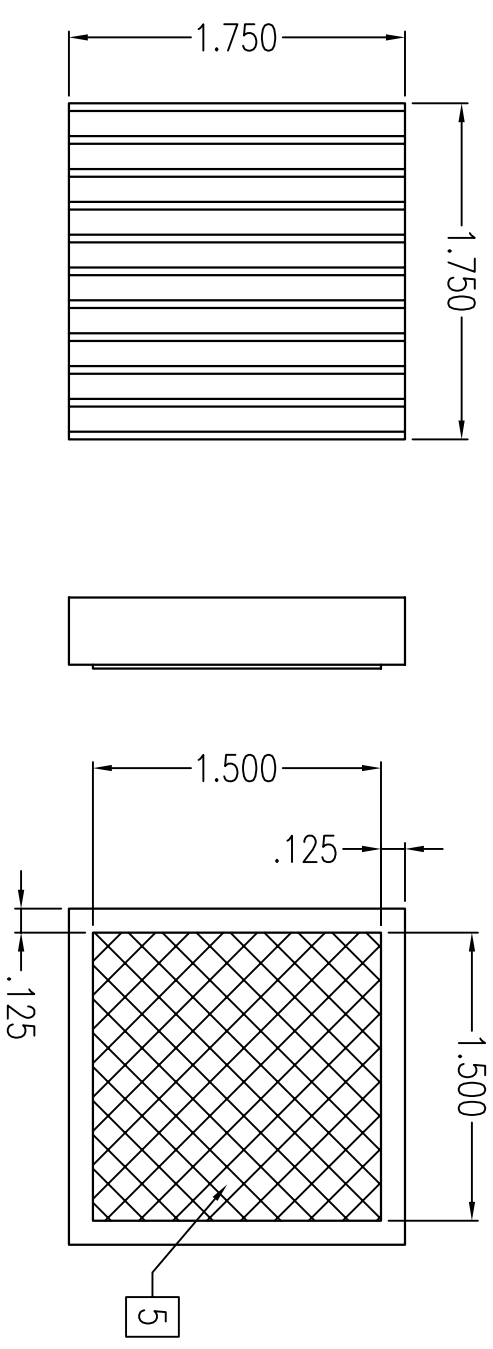


REVISION		DATE	EC#	APPROVE
REV	DESCRIPTION			MECH
A0	THIS IS PRODUCTION RELEASE	2008/04/08		XIE BI



- NOTES: (UNLESS OTHERWISE SPECIFIED)
1. ALL DIMENSIONS ARE IN INCHES.
  2. REMOVE ALL BURRS AND SHARP EDGES.
  3. MATERIAL: AL 6063-T5.
  4. FINISH: BLACK ANODIZE , RoHS COMPLIANT.
  5. THERMAL PAD MATERIAL: CHOMERICS T411 1.50"\*1.50" INTERFACE.
  6. TOLERANCES , DECIMALS : .xx ± .01  
.xxx ± .005  
ANGLES: ± 1°

# Jan Mao Industries Co.,Ltd

TEL: 752-6860900 FAX: 752-6860910

Drawing No.	D01-6346-101-C	Customer PN	Checked	Unit:	Inch	Edition	REV A0
Mfg. PN	63460F3000-0A	Material	Engineer	Sheet	1 Of 1	View	
Description	Headstck, 1.75"*1.75"*.35"	Finish	Drawn	Scale:	1:1	Date	2008/04/08
		Black Anodize	Davey xie				