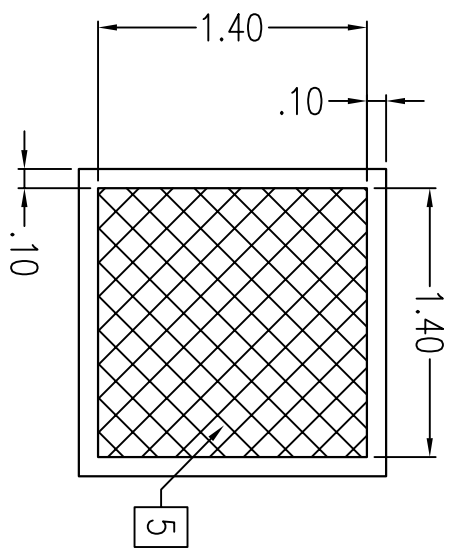
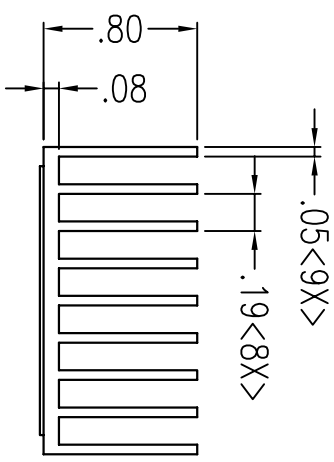
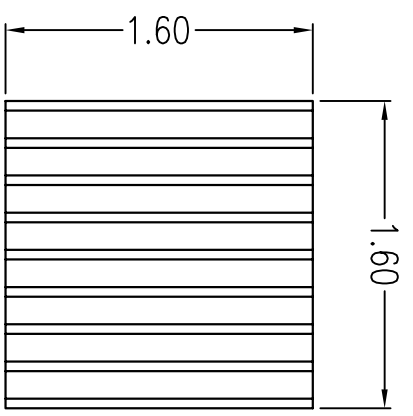


REV	DESCRIPTION	DATE	EC#	APPROVE
A0	THIS IS PRODUCTION RELEASE	2008/04/08		XIE BI



- NOTES: (UNLESS OTHERWISE SPECIFIED)
1. ALL DIMENSIONS ARE IN INCHES.
 2. REMOVE ALL BURRS AND SHARP EDGES.
 3. MATERIAL: AL 6063-T5.
 4. FINISH: BLACK ANODIZE , ROHS COMPLIANT.
 5. THERMAL PAD MATERIAL: CHOMERICS T411
1.40"*1.40" INTERFACE.
 6. TOLERANCES , DECIMALS : .xx ± .01

.xxx ± .005
ANGLES: ± 1°

<h2 style="text-align: center;">Jan Mao Industries Co.,Ltd</h2> <p style="text-align: center;">TEL: 752-6860900 FAX: 752-6860910</p>		Unit:	Inch	Edition	
		Sheet	1 Of 1	REV A0	
Drawing No.	D01-6356-101-C	Customer PN	Checked	Approval	
Mfg. PN	63560F3000-0A	Material	6063-T5	Engineer	
Description	Headsink, 1.6"*1.6"*.80"	Finish	Black Anodize	Drawn	Davey xie
				Date	2008/04/08