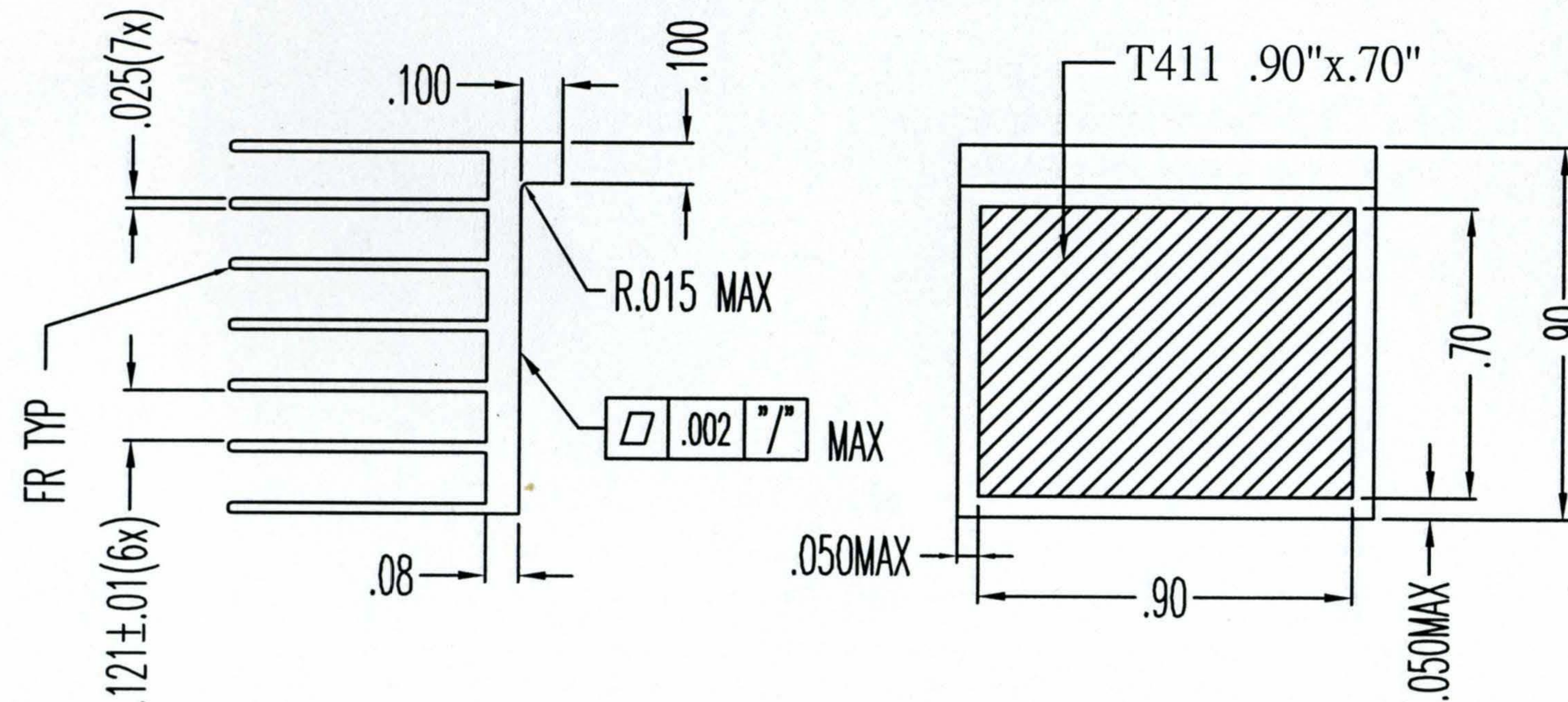
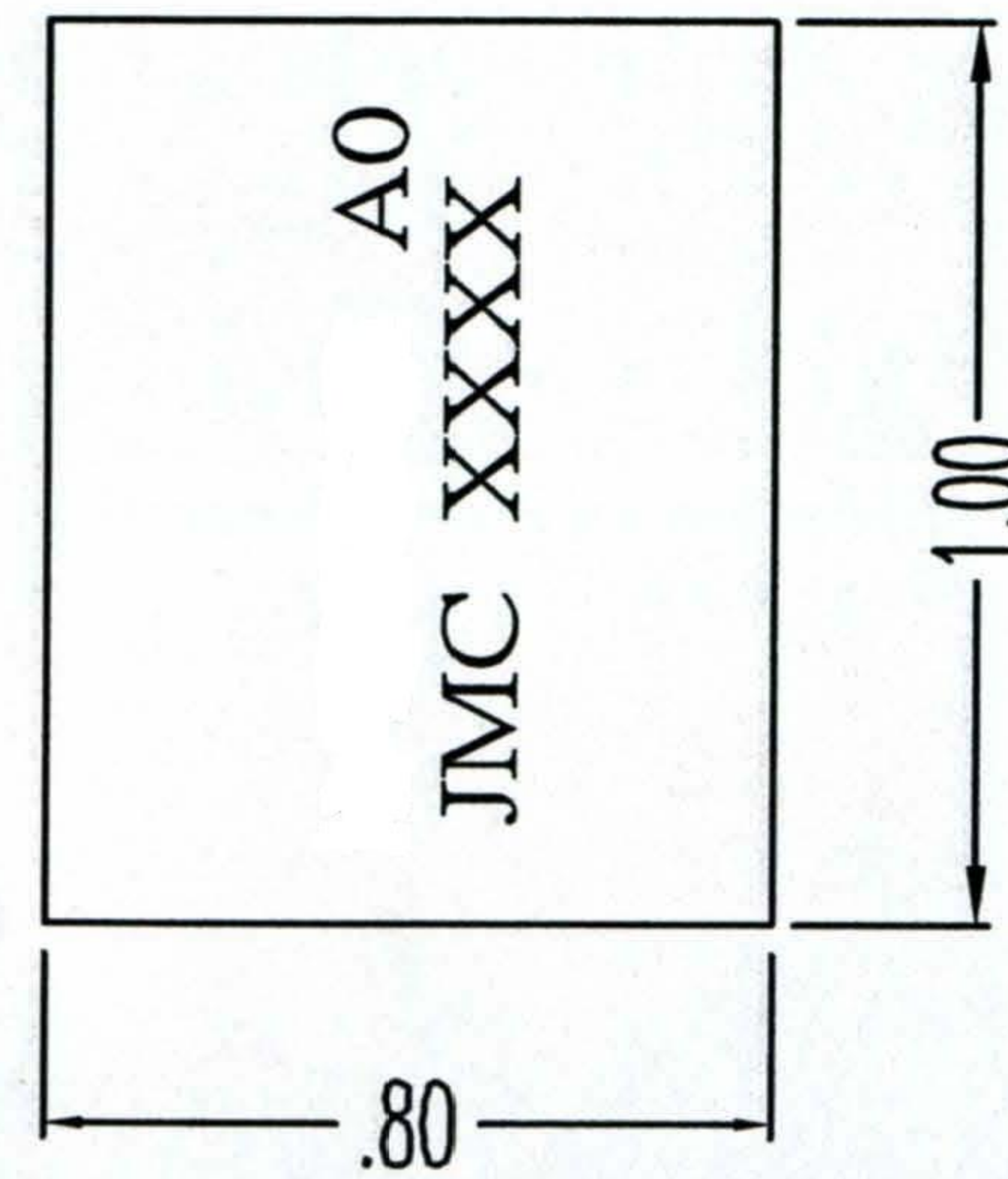


--- REVISION ---

REV	DESCRIPTION	DATE	EC#	APPROVE	
				MECH	MFG
A0	THIS IS PRODUCTION RELEASE	2007.07.23		XIE	BI



NOTES: (UNLESS OTHERWISE SPECIFIED)

1. ALL DIMENSIONS ARE IN INCHES.
2. REMOVE ALL BURRS AND SHARP EDGES.
3. MATERIAL: AL 6063-T6
4. FINISH: BLACK ANODIZE , RoHS COMPLIANT.
5. CHOMERICS T411 INTERFACE 0.90"x0.70".
6. MARK PART NUMBER , REVISION , VENDOR CODE , DATE CODE.
- 7 . TOLERANCES , DECIMALS :
 .xx ± 0.015
 .xxx ± 0.010
 ANGLES: ± 1°

<h2>Jan Mao Industries Co.,Ltd</h2> <p>TEL:0752-6860900 FAX:0752-6860910</p>				Unit: Inch		Edition REV A0	
				Sheet 1 Of 1		View	
				Scale: 1:1			
Drawing No.	D01-6378-J01-C	Customer PN		Checked	<i>Bi Ding</i>	Approval	
Mfg. PN	63780F3000-0A-A3	Material	AL 6063-T6	Engineer	<i>Davey</i>		
Description	Heatsink, 1.00"x.90"x.80"	Finish	Black Anodize	Drawn	<i>Liudagang</i>	Date	2007.07.23