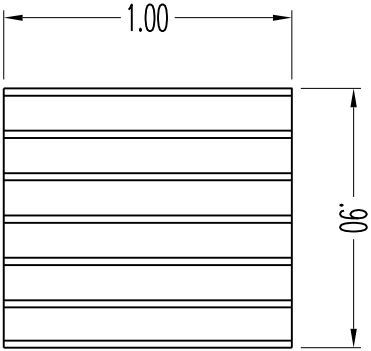


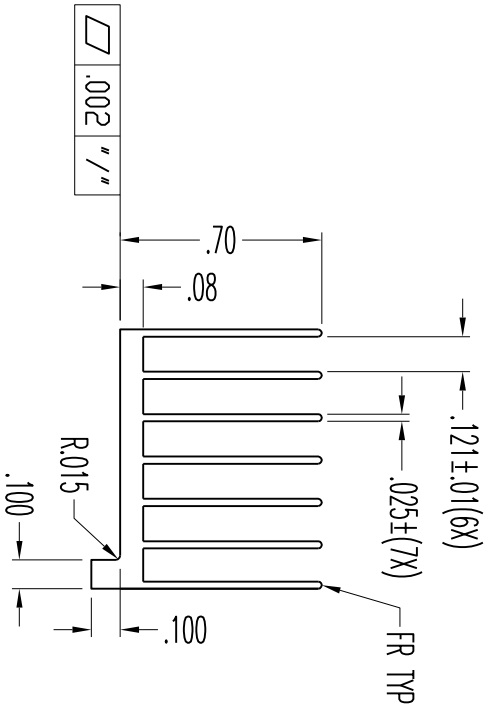
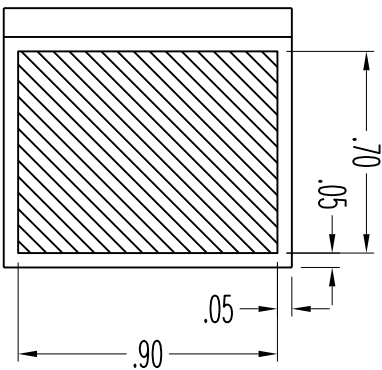
--- REVISION ---			
REV	DESCRIPTION	DATE	EC#
A0	THIS IS PRODUCTION RELEASE	2007/08/03	

APPROVE	
MECH	MFG
XIE	BI



51-3736-01 A0  
MC XXXX

5



- NOTES: (UNLESS OTHERWISE SPECIFIED)
1. ALL DIMENSIONS ARE IN INCHES.
  2. REMOVE ALL BURRS AND SHARP EDGES.
  3. MATERIAL: AL 6063-T6
  4. FINISH: BLACK ANODIZE , ROHS COMPLIANT.
  5. CHIMERICS T411 INTERFACE .90\* .70°.
  6. MARK PART NUMBER , REVISION
  7. TOLERANCES , DECIMALS : .xx ± .015  
.xxx ± .010  
ANGLES: ± 1°

<h1>Jan Mao Industries Co., Ltd</h1> <p>TEL:0752-6860900 FAX:0752-6860910</p>		Unit: Inch	Edition REV A0
		Sheet 1 of 1	View
Drawing No.	D01-6378-J01-C	Customer PN	51-3736-01
Mfg. PN	63780F3000-0A-A3	Material	AL 6063-T6
Description	Headstnk, 1.00"x.90"x.80°	Finish	Black Anodize
		Drawn	He Zhong
		Date	2007-8-3
		Checked	Approval
		Engineer	