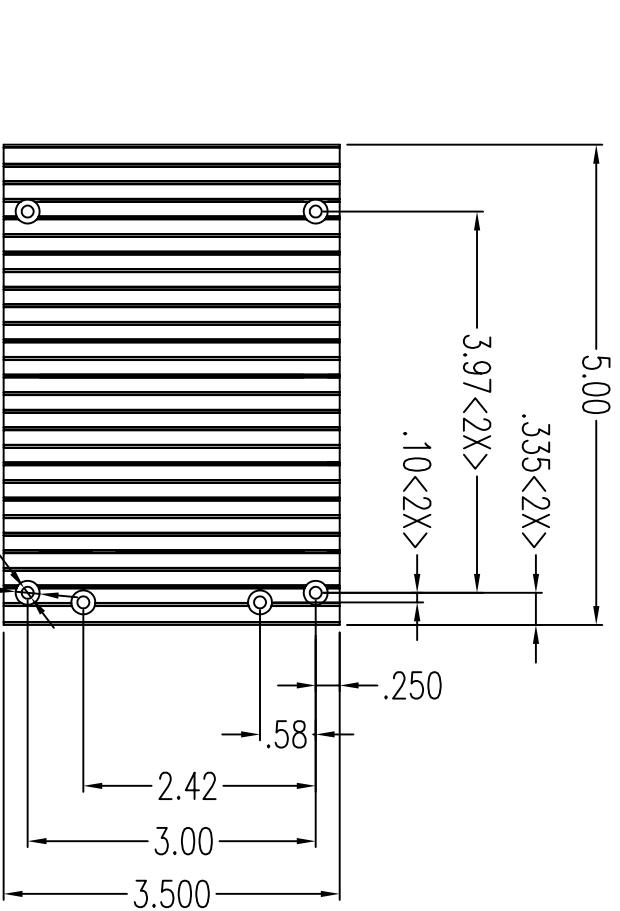
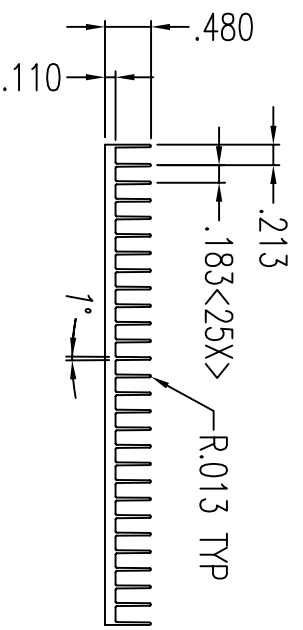


REVISION		DATE		APPROVE	
REV	DESCRIPTION	DATE	EC#	MECH	MFG
A0	THIS IS PRODUCTION RELEASE	2008/04/08		XIE	BI



- NOTES: (UNLESS OTHERWISE SPECIFIED)
1. ALL DIMENSIONS ARE IN INCHES.
 2. REMOVE ALL BURRS AND SHARP EDGES.
 3. MATERIAL: AL 6063-T5.
 4. FINISH: BLACK ANODIZE , RoHS COMPLIANT.
 5. TOLERANCES , DECIMALS : .xx ± .015

.xxx ± .01
 ANGLES: ± 1°



Jan Mao Industries Co.,Ltd TEL:752-6860900 FAX:752-6860910		Unit:	Inch	Edition	REV A0
		Sheet 1 Of 1	Scale:	1:2	View
Drawing No.	D01-6419-102-C	Customer PN	Checked	Drawn	Approval
Mfg. PN	64190F3001-0A	Material	6063-T5	Engineer	
Description	Headsink,5.0*3.5*.48"	Finish	Black Anodize	Davey xie	Date
					2008/04/08