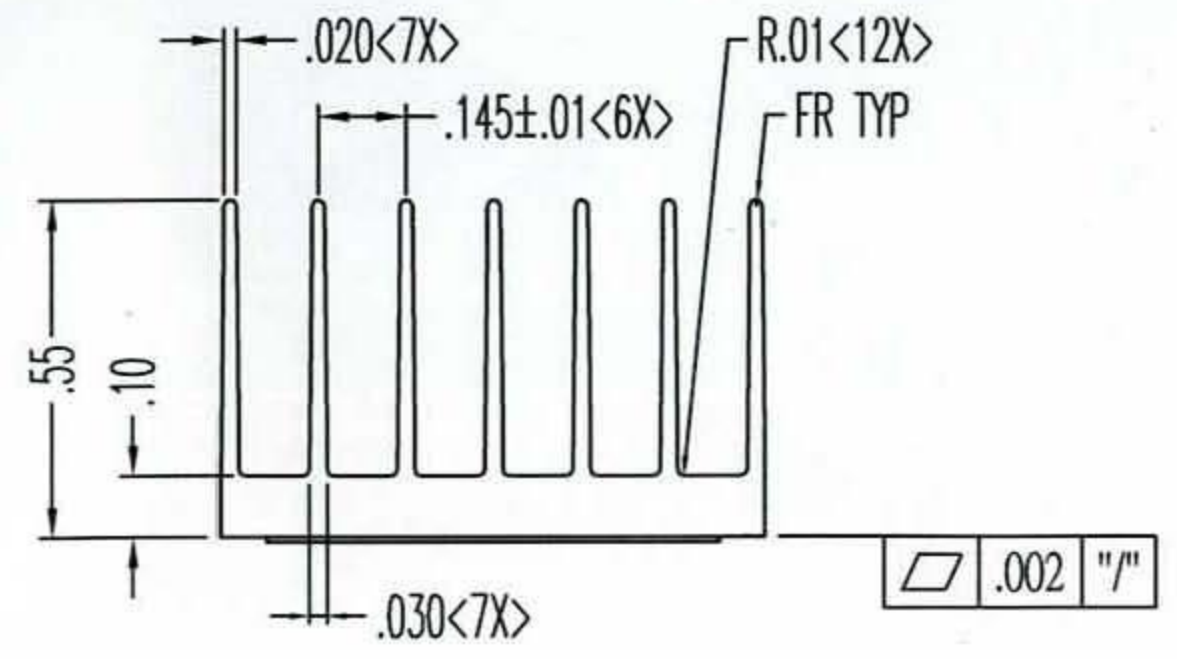
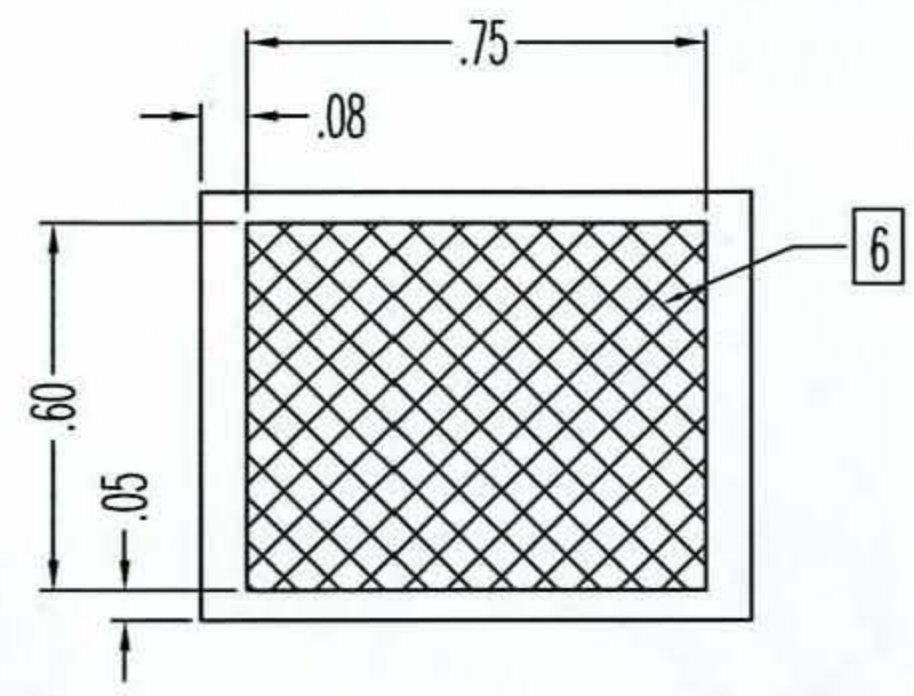
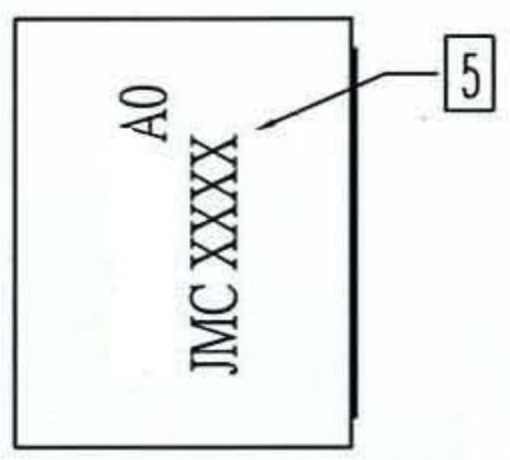
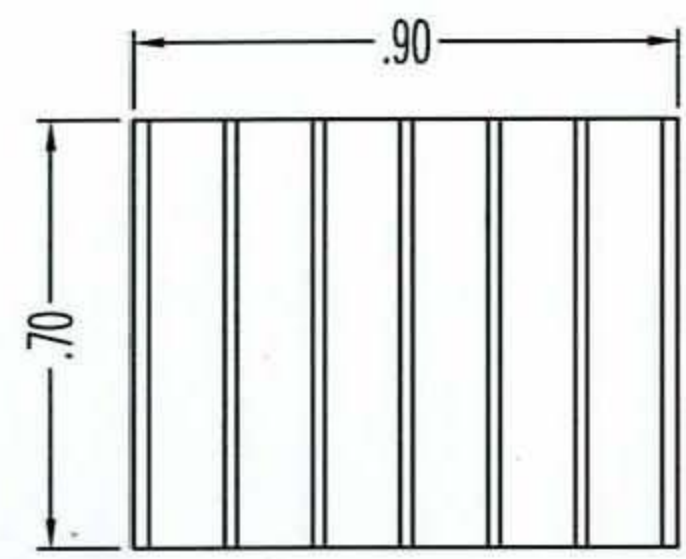


--- REVISION ---					
REV	DESCRIPTION	DATE	EC#	APPROVE	
				MECH	MFG
A0	THIS IS PRODUCTION RELEASE	2007/08/10		XIE	BI



- NOTES: (UNLESS OTHERWISE SPECIFIED)
1. ALL DIMENSIONS ARE IN INCHES.
 2. REMOVE ALL BURRS AND SHARP EDGES.
 3. MATERIAL: AL 6063-T5.
 4. FINISH: BLACK ANODIZE , RoHS COMPLIANT.
 5. THERMAL PAD MATERIAL: CHOMERICS T411 .75"*.60" INTERFACE.
 6. MARK PART NUMBER , REVISION , VENDOR CODE , DATE CODE.
 7. TOLERANCES , DECIMALS : .xx ± .01
.xxx ± .005
ANGLES: ± 1°

Jan Mao Industries Co.,Ltd TEL:752-6860900 FAX:752-6860910				Unit: Inch	Edition REV A0		
				Sheet 1 Of 1	View		
				Scale: 2:1			
Drawing No.	D01-6448-J01-C	Customer PN		Checked	<i>Bi Ding Gu</i>	Approval	
Mfg. PN	64480F3000-0A-A3	Material	6063-T5	Engineer	<i>Davey</i>		
Description	Heatsink, .90"*.70"*.55"	Finish	Black Anodize	Drawn	<i>Liu Dagang</i>	Date	2007/08/10