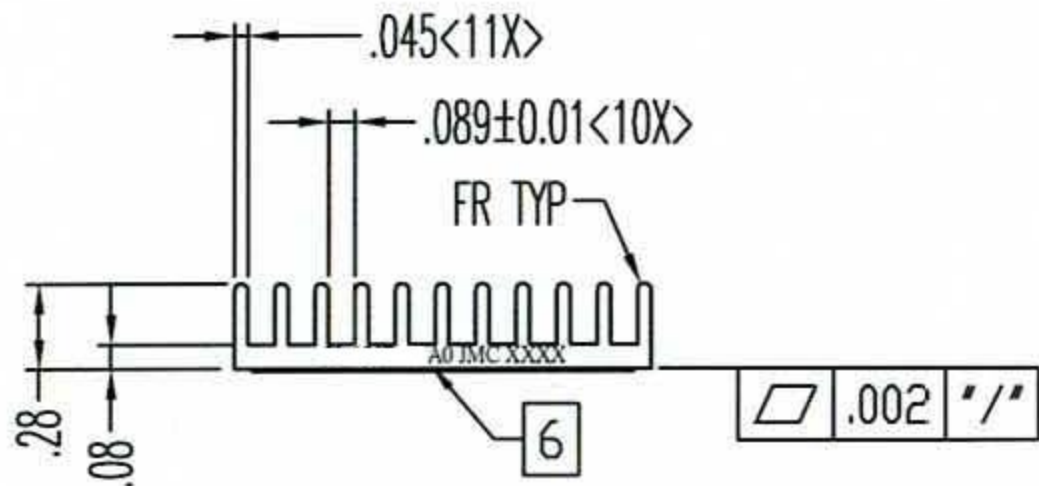
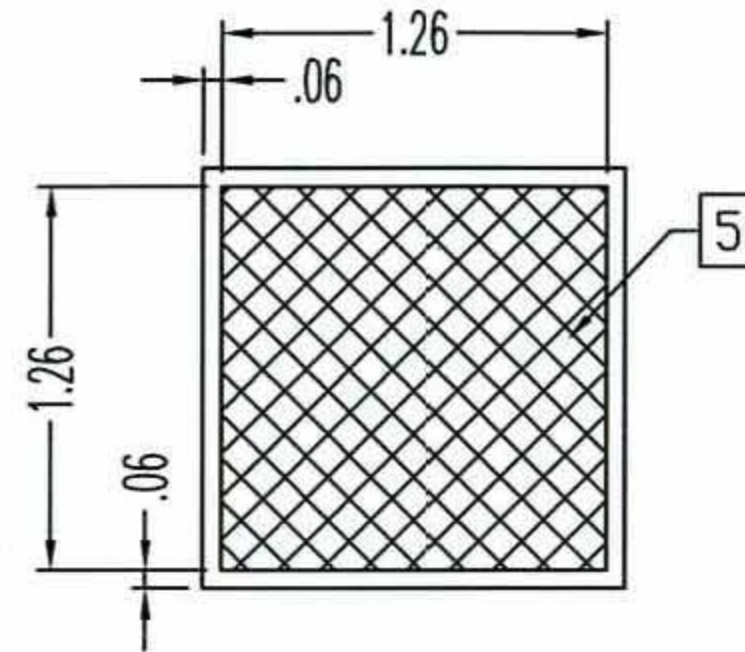
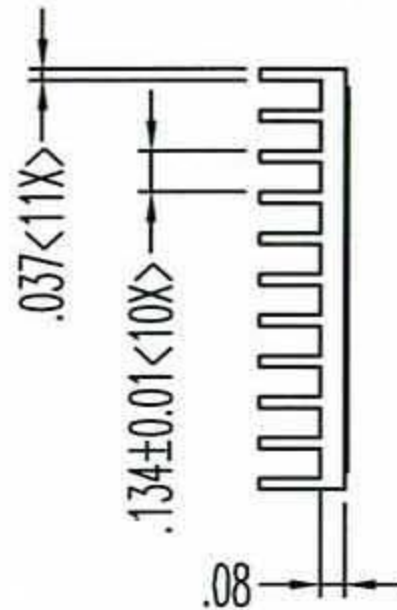
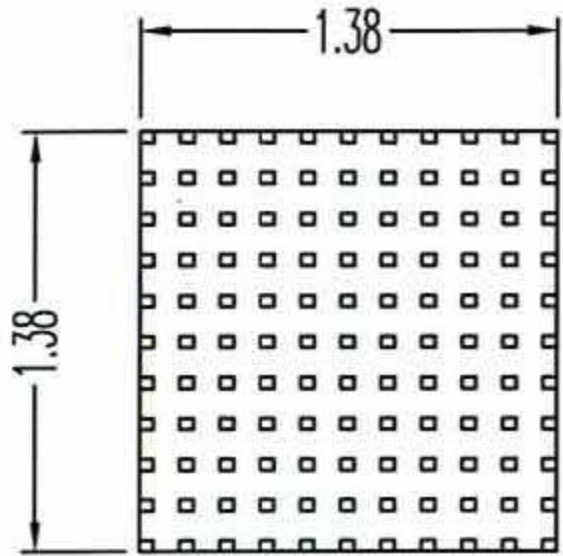


--- REVISION ---					
REV	DESCRIPTION	DATE	EC#	APPROVE	
				MECH	MFG
A0	THIS IS PRODUCTION RELEASE	2007/08/10		XIE	BI



- NOTES: (UNLESS OTHERWISE SPECIFIED)
1. ALL DIMENSIONS ARE IN INCHES.
  2. REMOVE ALL BURRS AND SHARP EDGES.
  3. MATERIAL: AL 6063-T5
  4. FINISH: BLACK ANODIZE , RoHS COMPLIANT.
  5. INTERFACE MATERIAL BERGQUIST BONDPLY BP108. 1.26"\*1.26".
  6. MARK PART NUMBER , REVISION , VENDOR CODE , DATE CODE.
  7. TOLERANCES , DECIMALS :  
 .xx±.01  
 .xxx±.005  
 ANGLES± 1°

Jan Mao Industries Co.,Ltd TEL:752-6860900 FAX:752-6860910				Unit: Inch		Edition REV A0	
				Sheet 1 Of 1		View	
				Scale: 1:1			
Drawing No.	D01-6622-J01-C	Customer PN		Checked	<i>B. Ding</i>	Approval	<i>Stewart</i>
Mfg. PN	66220F3000-0A-A4	Material	AL 6063-T5	Engineer	<i>Davey</i>		
Description	Heatsink:1.38"*1.38"*.28"	Finish	Black Anodize	Drawn	He Zhong	Date	2007/08/10