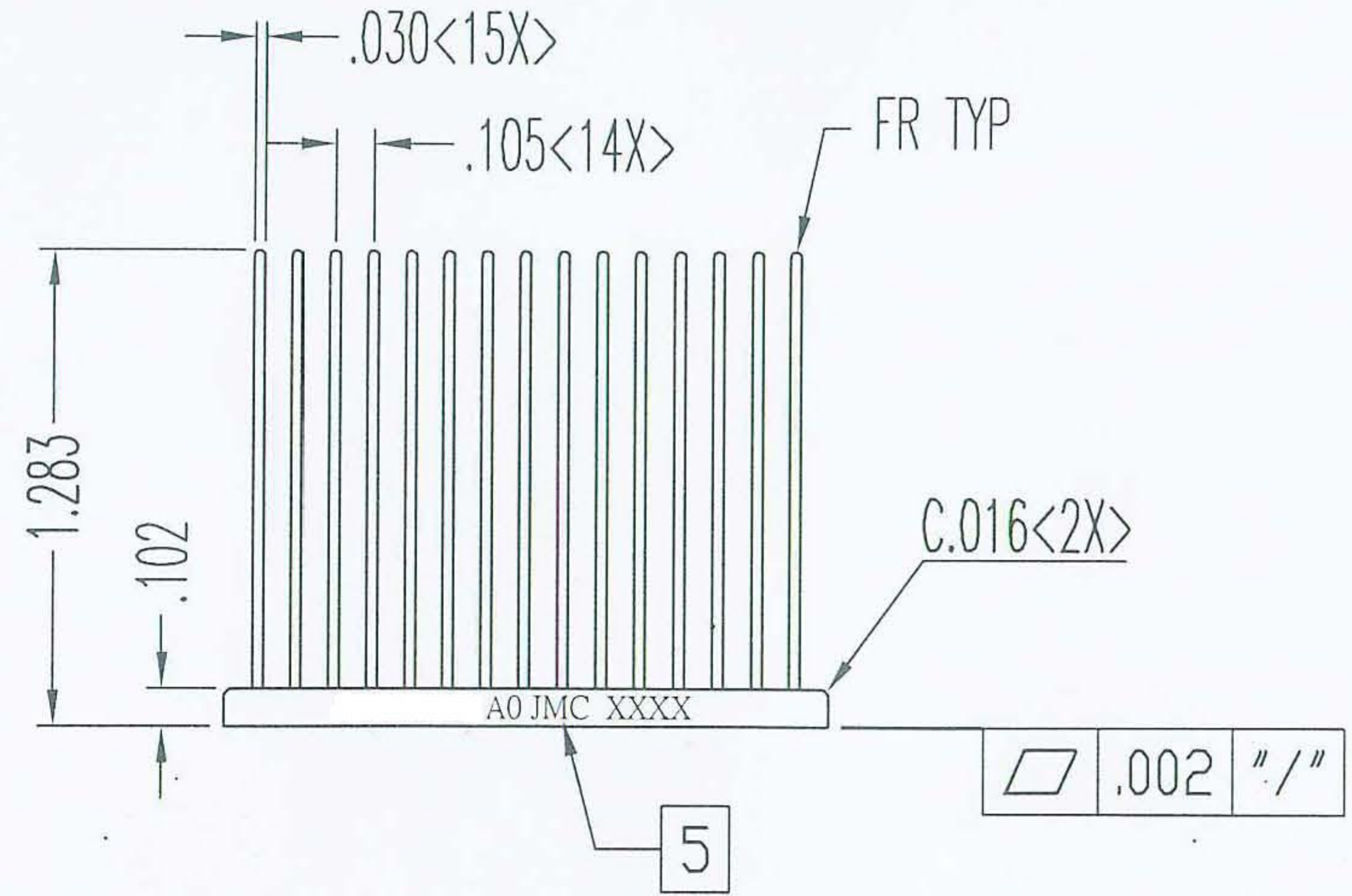
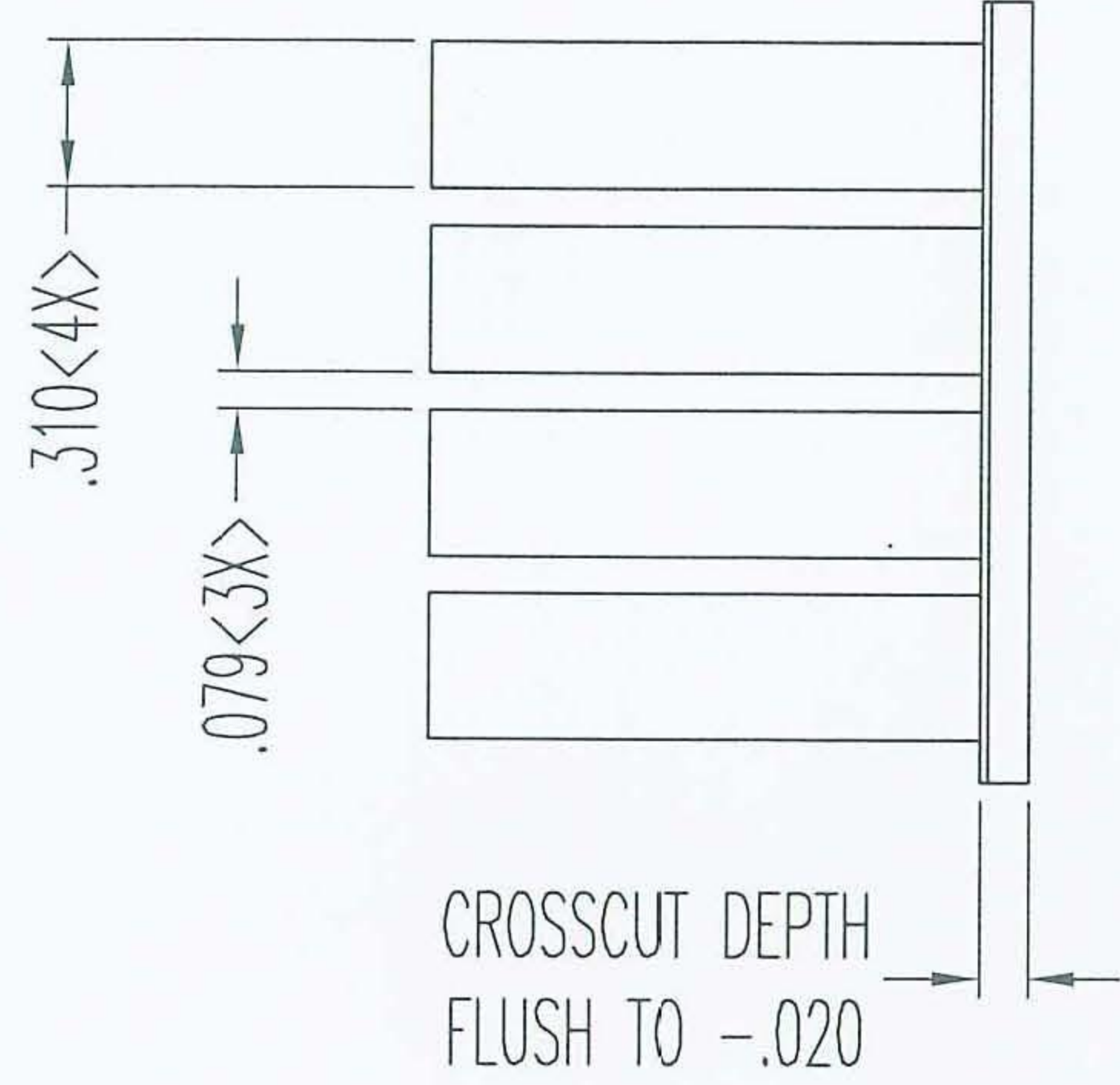
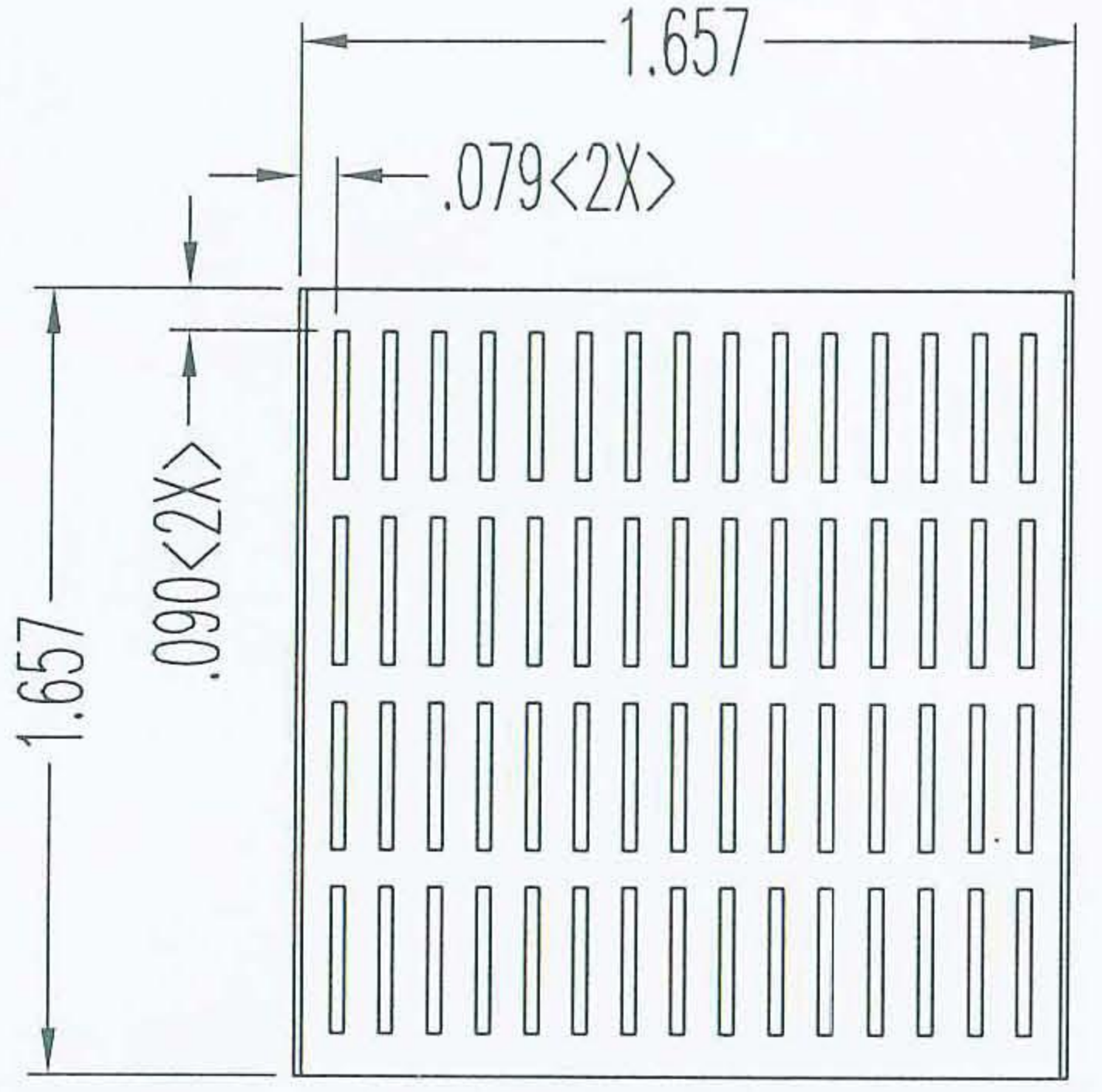


--- REVISION ---					
REV	DESCRIPTION	DATE	EC#	APPROVE	
				MECH	MFG
A0	THIS IS PRODUCTION RELEASE	2007/09/26		XIE	BI



- NOTES: (UNLESS OTHERWISE SPECIFIED)
1. ALL DIMENSIONS ARE IN INCHES.
 2. REMOVE ALL BURRS AND SHARP EDGES.
 3. MATERIAL: AL 6063-T5
 4. FINISH: BLACK ANODIZE , RoHS COMPLIANT.
 5. MARK PART NUMBER , REVISION, VENDOR CODE , DATE CODE.
 6. TOLERANCES , DECIMALS: .xx ± .02
.xxx ± .01
ANGLES: ± 1°

Jan Mao Industries Co.,Ltd TEL:752-6860900 FAX:752-6860910			Unit: Inch	Edition REV A0	
			Sheet 1 Of 1	View	
			Scale: 1:1		
Drawing No.	D01-7450-J01-C	Customer PN	Checked		
Mfg. PN	74500F3000-0A	Material	Al 6063-T5	Engineer	<i>Jawey</i>
Description	Heatsink, 1.657"*1.657"*1.283"	Finish	Black Anodize	Drawn	Sunwhy
				Approval	<i>B. Ding Gen</i>
				Date	2007/09/26