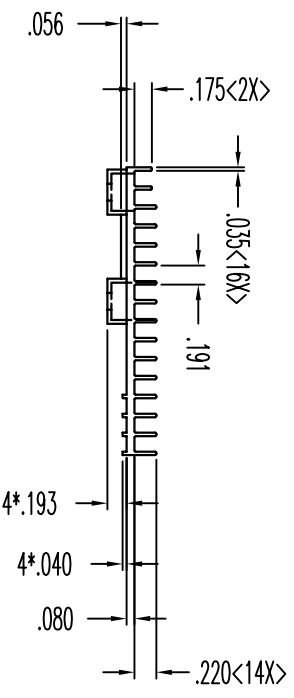
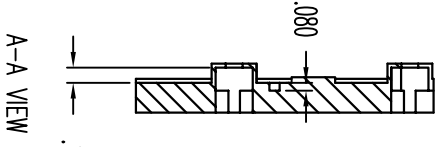
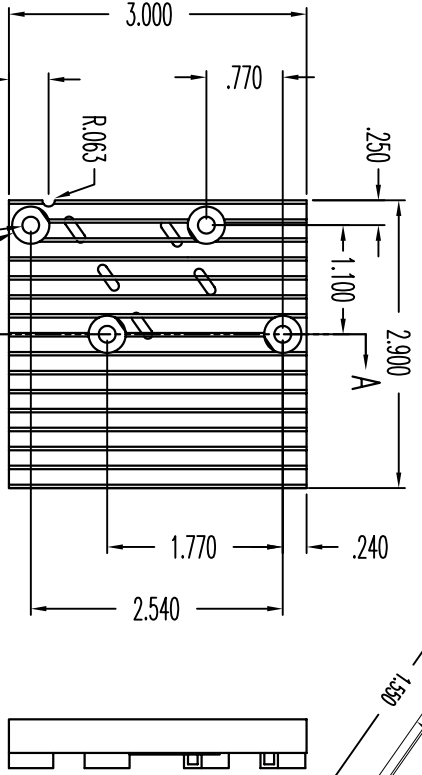
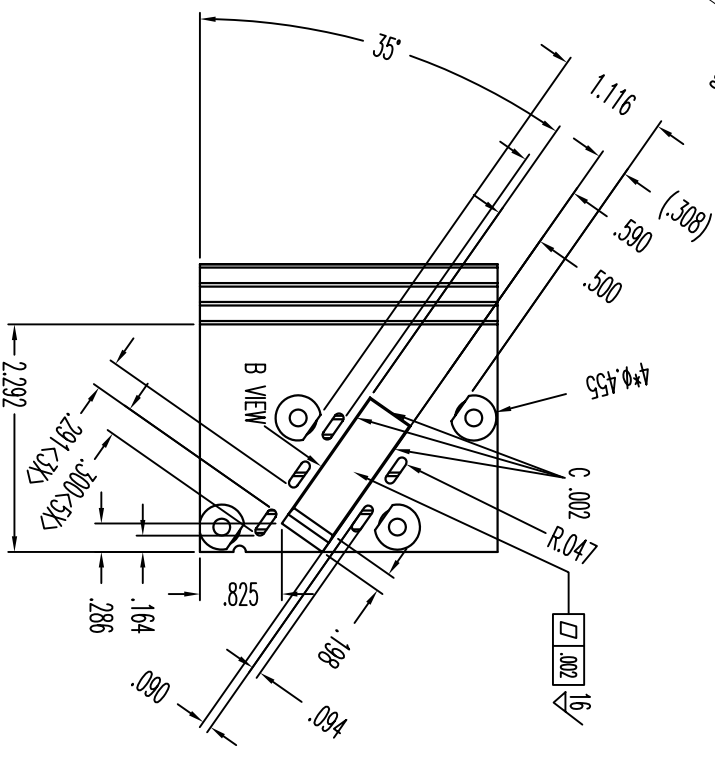
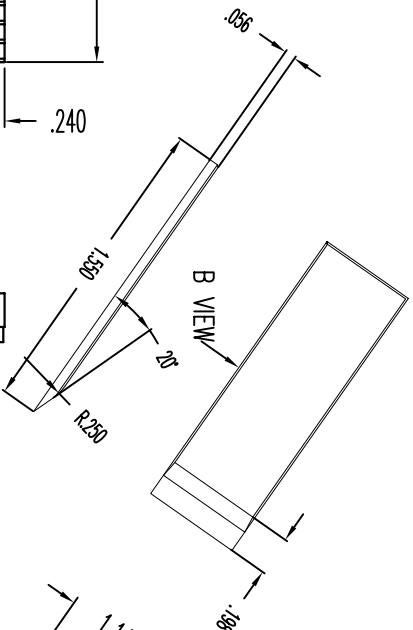


REV	DESCRIPTION	DATE	EC#	APPROVE
A0	THIS IS PRODUCTION RELEASE	2008/04/08		XIE BI



NOTES: <UNLESS OTHERWISE SPECIFIED>
 1. ALL DIMENSIONS ARE IN INCHES.
 2. REMOVE ALL BURRS AND SHARP EDGES.
 3. MATERIAL: AL 6063-T5
 4. FINISH: CLEAR CHROMATE, ROHS COMPLIANT.
 5. SURFACE FINISH: 63 UNLESS OTHERWISE NOTED
 6. TOLERANCES, DECIMALS : .xx ± .03 .xxx ± .01
 ANGLES: ± 1°

Jan Mao Industries Co., Ltd

TEL:752-6860900 FAX:752-6860910

Drawing No.	D01-7470-J01-C	Customer PN		Checked		Unit:	Inch	Edition	REV A0
Mfg. PN	74700F3000-0A	Material	6063-T5	Engineer		Sheet 1	Of 1	View	
Description	Heatsink 2.9" x 3.0" x .448"	Finish	Clear Chromate	Drawn	Davey xie	Scale:	1:1	Date	2008/04/08