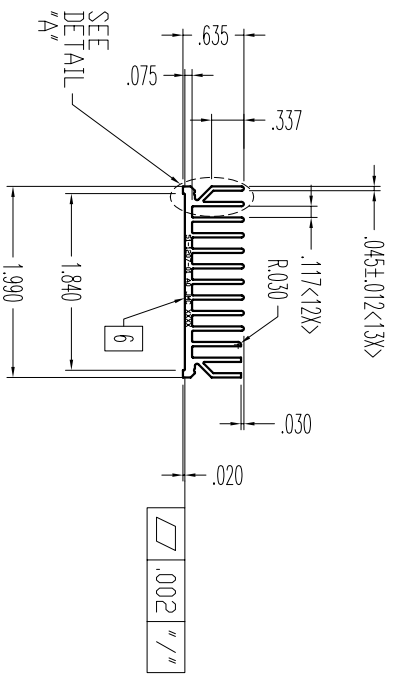
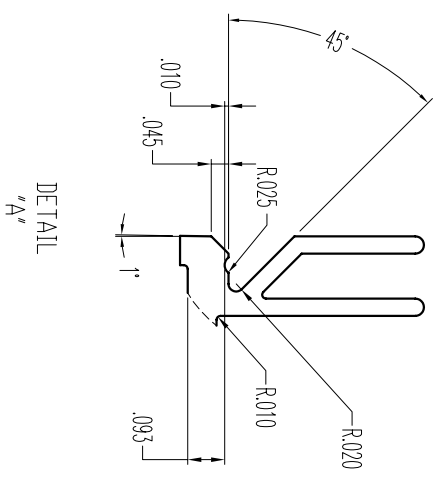
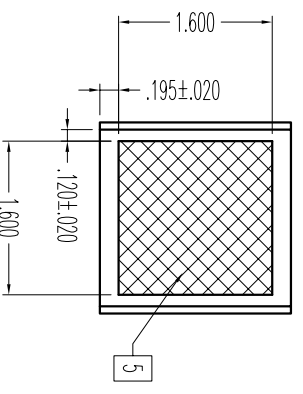
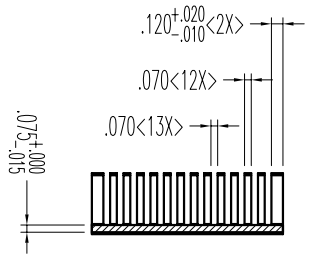
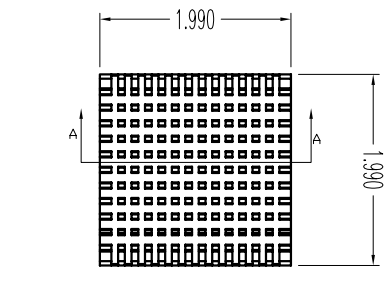


REV		DESCRIPTION	DATE	EC#	APPROVE
A0		THIS IS PRODUCTION RELEASE	2008/6/6		MFG MFG
					XIE BI



SECTION A-A

- NOTES: (UNLESS OTHERWISE SPECIFIED)
1. ALL DIMENSIONS ARE IN INCHES.
 2. REMOVE ALL BURRS AND SHARP EDGES.
 3. MATERIAL: AL 6063-T5
 4. FINISH: GOLD CHROMATE
 5. THERMAL PAD MATERIAL: CHOMERICS T410 160*1.60*
 6. MARK PART NUMBER, REVISION, VENDOR CODE, DATE CODE.
 7. TOLERANCES, DECIMALS : xx±.015
xxx±.01
ANGLES± 1°

Jan Mao Industries Co., Ltd

TEL: 752-6860900 FAX: 752-6860910

Drawing No.	D01-7478-001-C	Customer PN	51-1207-01	Checked	Unit: Inch	Sheet 1 of 1	Edition REV A0
Mfg. PN	74780C0000-0A-A	Material	AL 6063 T5	Engineer	Scale: 1:2	View	Approval
Description	Heatsink: 1.99" * 1.99" * .635"	Finish	Gold chromate	Drawn	Davey xie	Date	2008-6-6