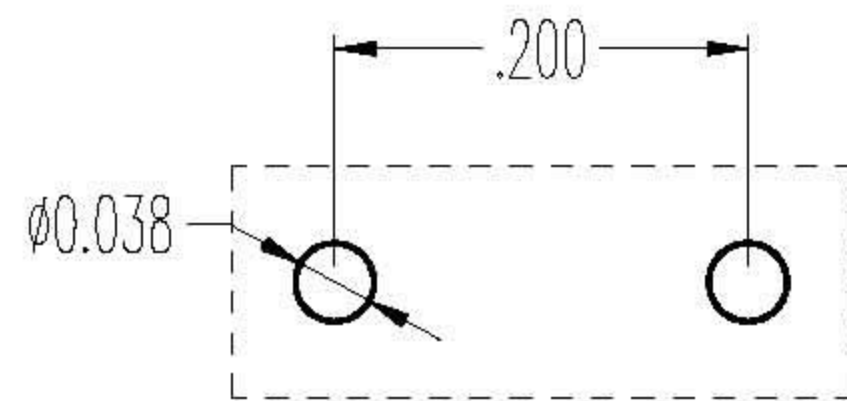
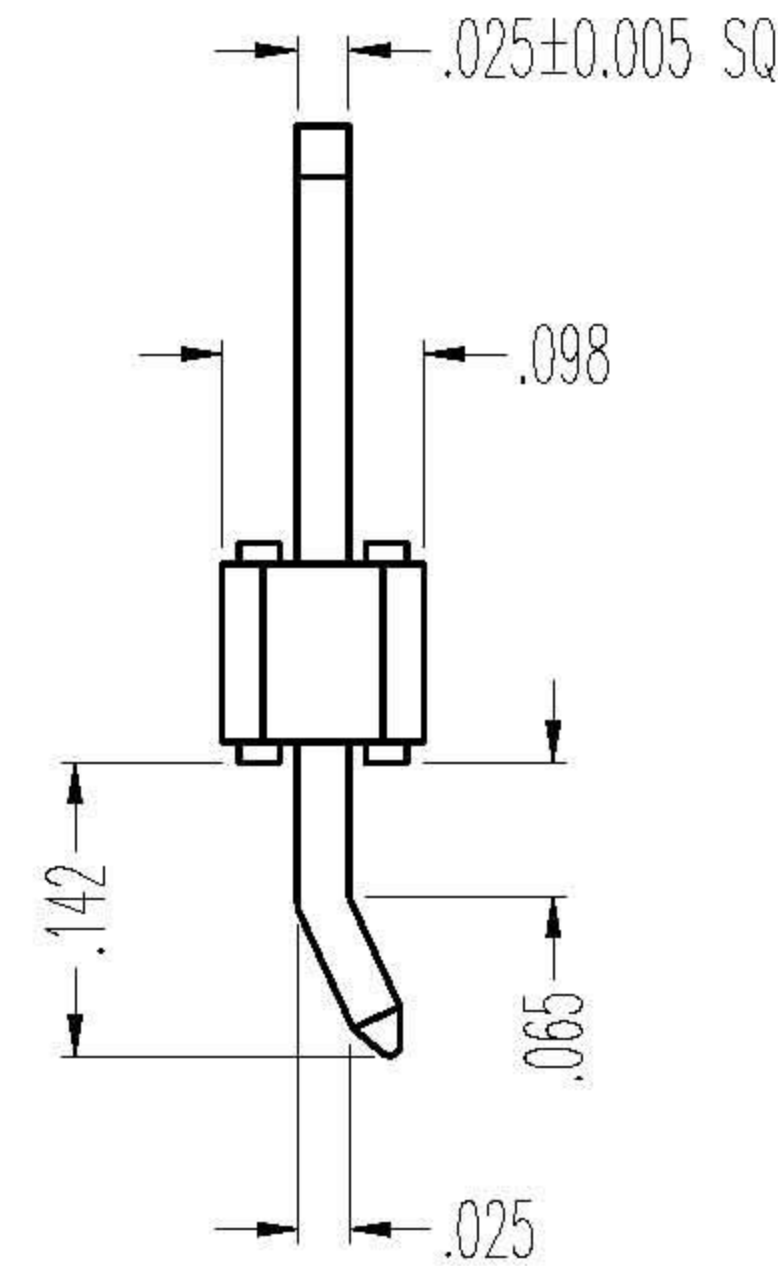
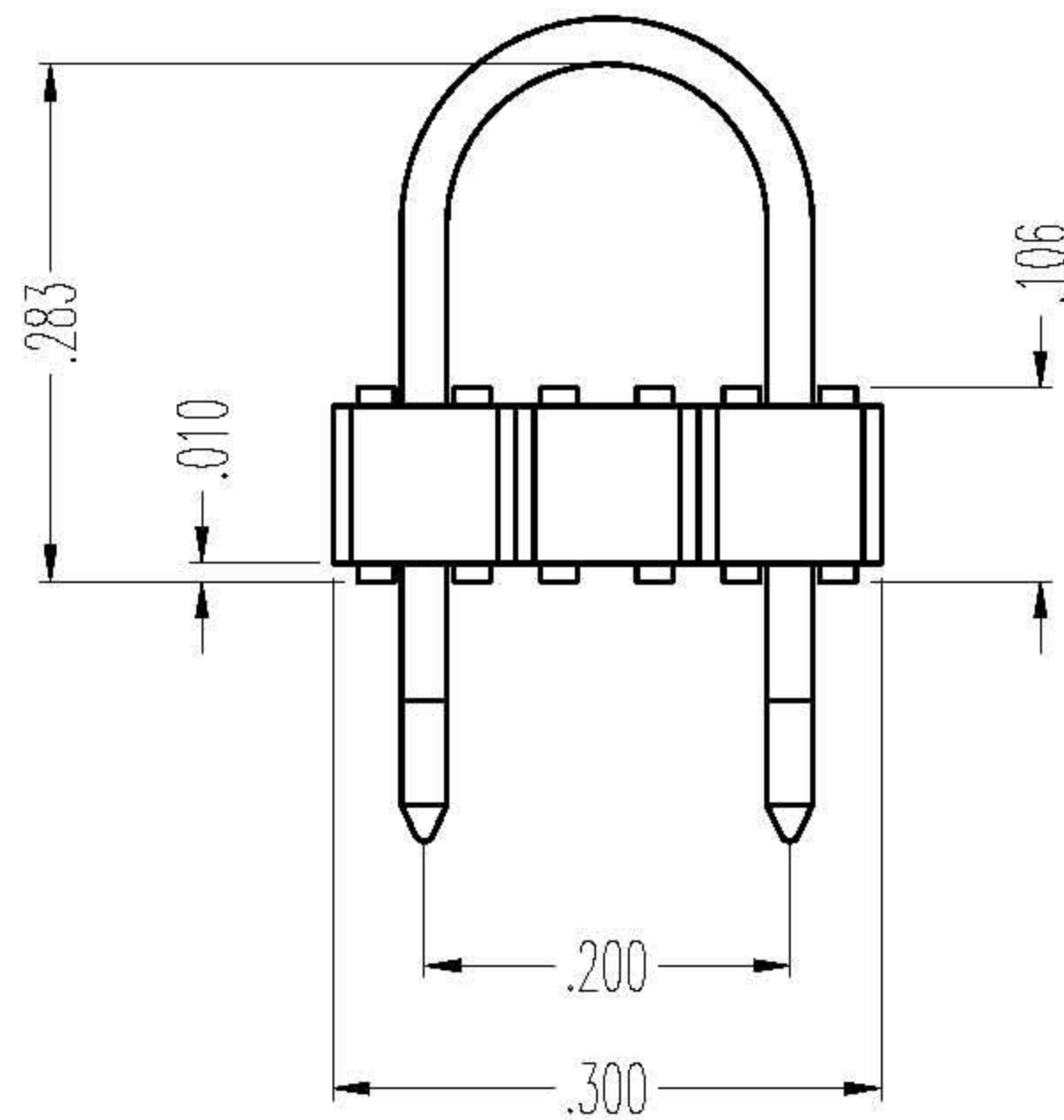


--- REVISION ---					
REV	DESCRIPTION	DATE	EC#	APPROVE	
				MECH	MFG
A0	THIS IS PRODUCTION RELEASE	2008/06/10		XIE	BI



RECOMMENDED P.C.B HOLE LAYOUT

NOTES: (UNLESS OTHERWISE SPECIFIED)

1. ALL DIMENSIONS ARE IN INCHES.
2. REMOVE ALL BURRS AND SHARP EDGES.
3. MATERIAL:
HOUSING: GLASS-FILLED NYLON, UL94V-0,COLOR BLACK
PIN:PHOSPHOR BRONZE .025 SQUARE
4. FINISH:
HOUSING: NONE
PIN: MATTE TIN , RoHS COMPLIANT.
5. TOLERANCES , DECIMALS :
 .xx±.015
 .xxx±.01
 ANGLES:± 1°

Jan Mao Industries Co.,Ltd
TEL:752-6860900 FAX:752-6860910

Unit: Inch
 Sheet 1 Of 1
 Scale: 5:1
 Edition REV A0
 View

Drawing No.	D01-7482-J01-C	Customer PN		Checked		Approval	Date	2008/6/10
Mfg. PN	74820B0000-0A	Material	SEE NOTES 3	Engineer				
Description	Heatsink:.45"*.30"*.098"	Finish	SEE NOTES 4	Drawn	Davey xie			